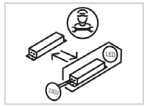
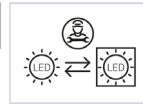


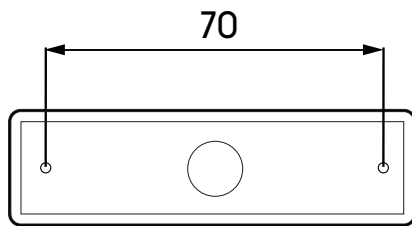
# ICE TUBE

8118 | 8120

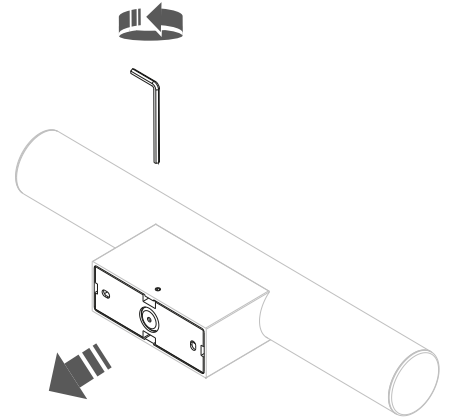
THIS PRODUCT CONTAINS A LIGHT SOURCE OF ENERGY EFFICIENCY CLASS: F



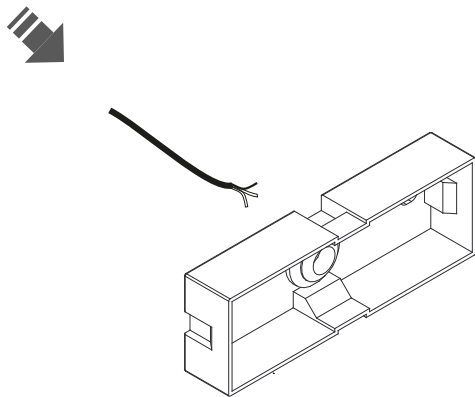
1



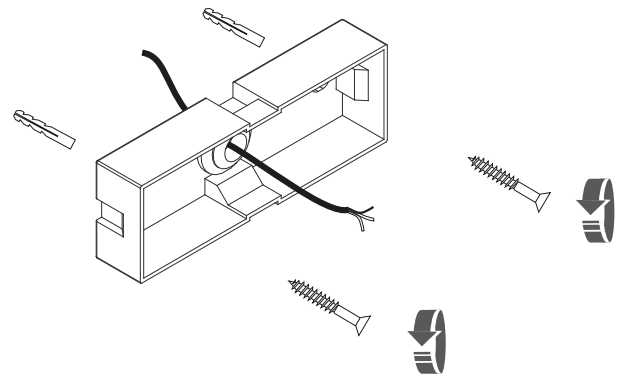
2



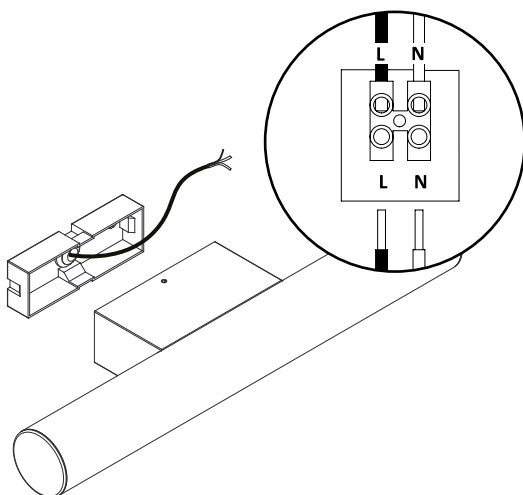
3



4



5



6

