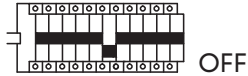


THIS PRODUCT CONTAINS A LIGHT SOURCE OF ENERGY EFFICIENCY CLASS: E

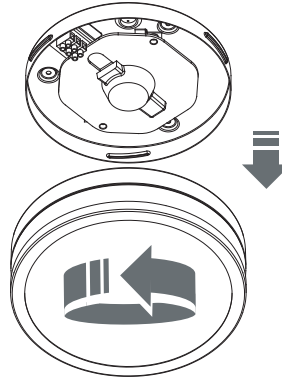


MALAKKA
9501

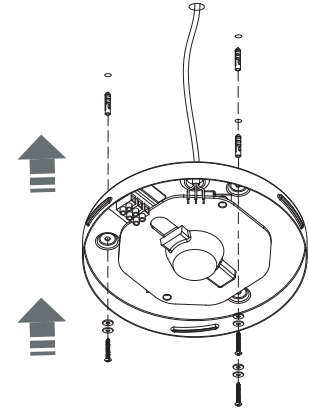
1



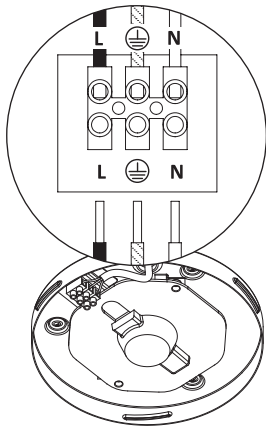
2



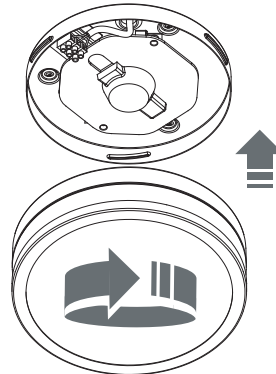
3



4



5



6

