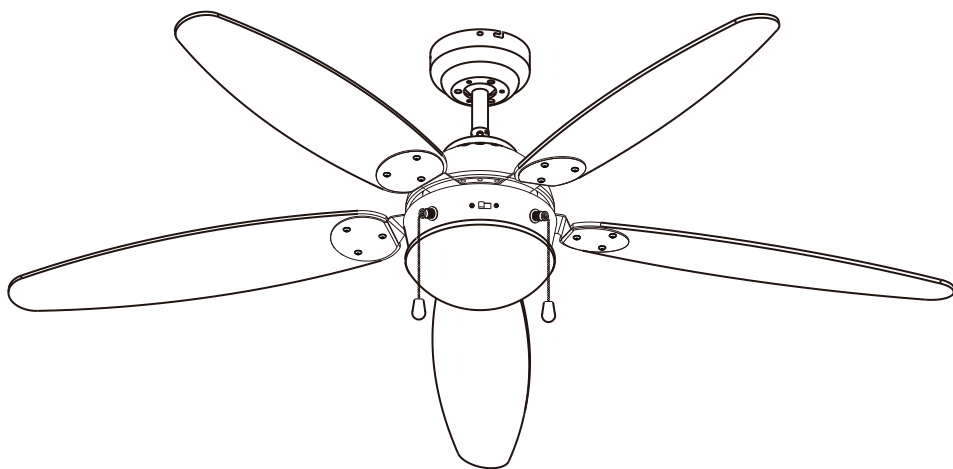


GLOBO

FAN

0308

www.globo-lighting.com

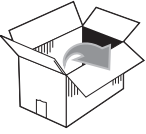


GLOBO Handels GmbH

St. Peter 38

A-9184 St.Jakob/Rosental

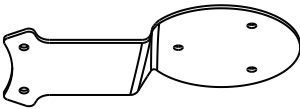




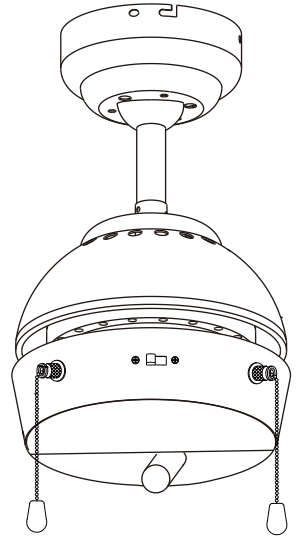
C x5



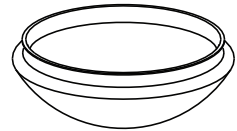
D x5



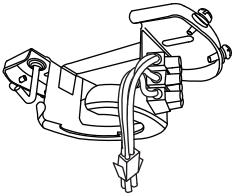
B



E x1



A



H



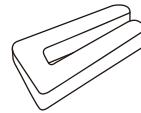
x2

N



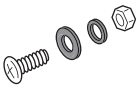
x5

M



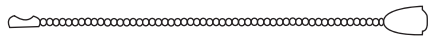
x1

F

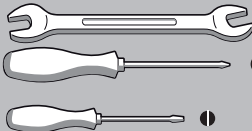
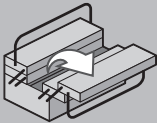


x15

G



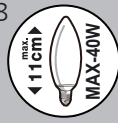
x2



#8

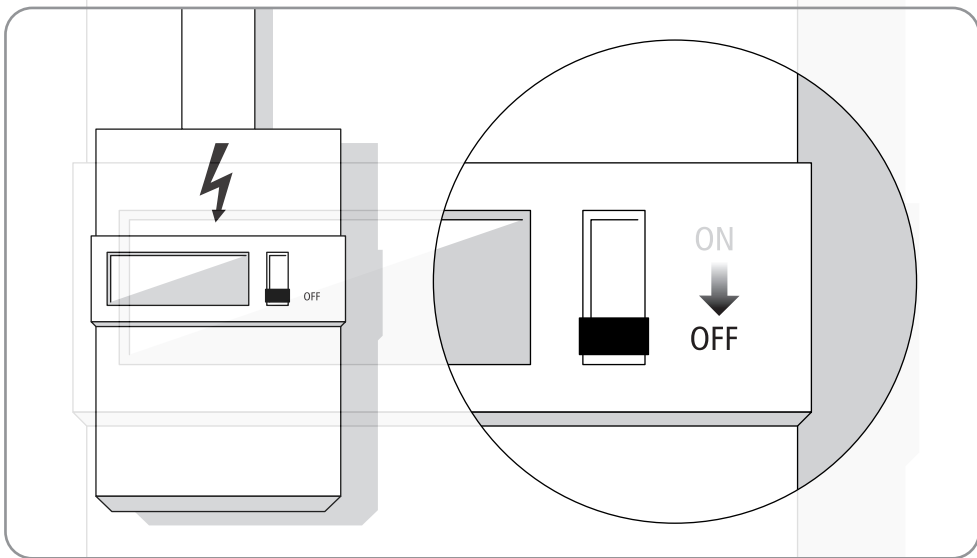
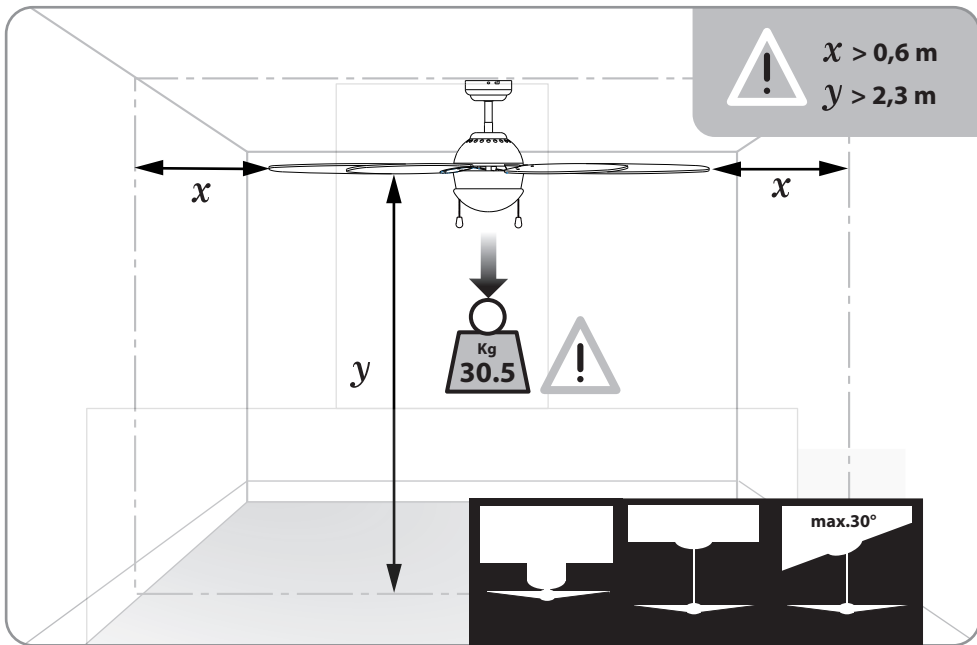
+

-

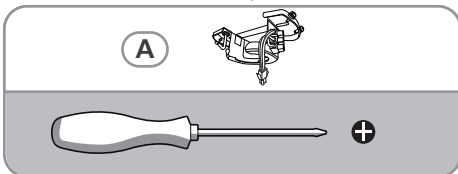
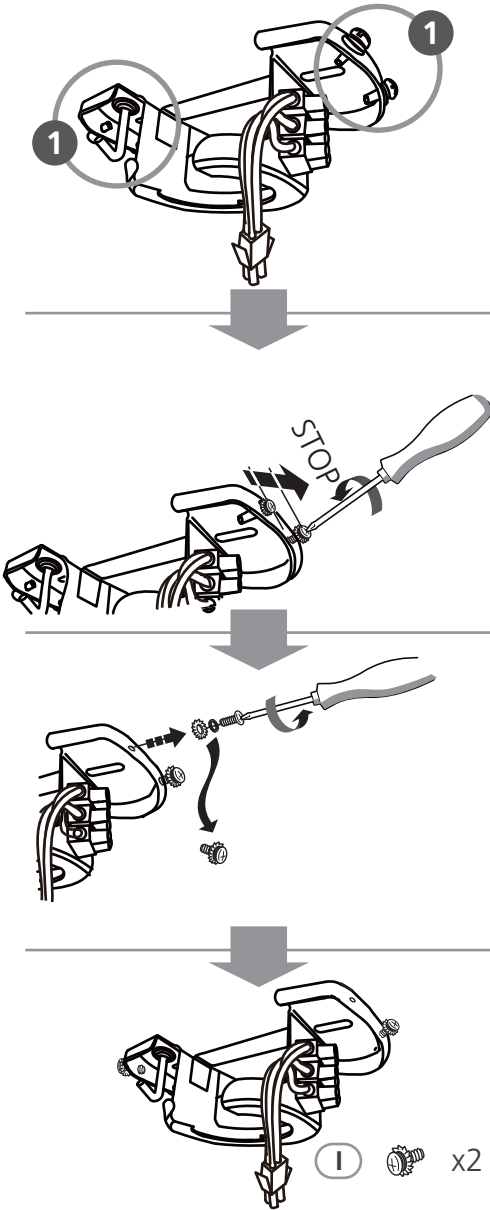


E 14

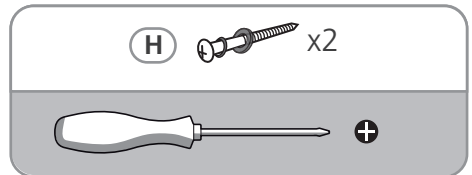
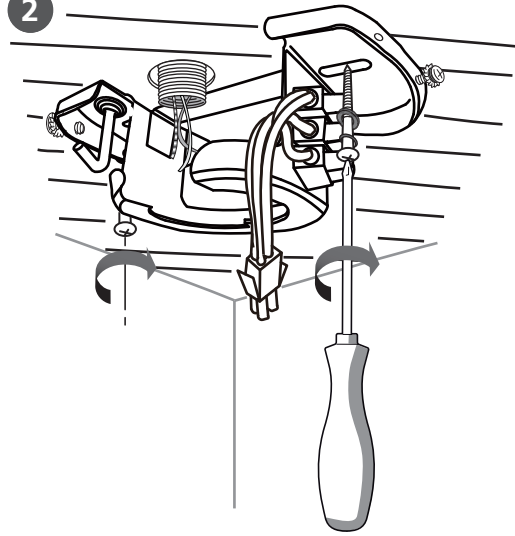




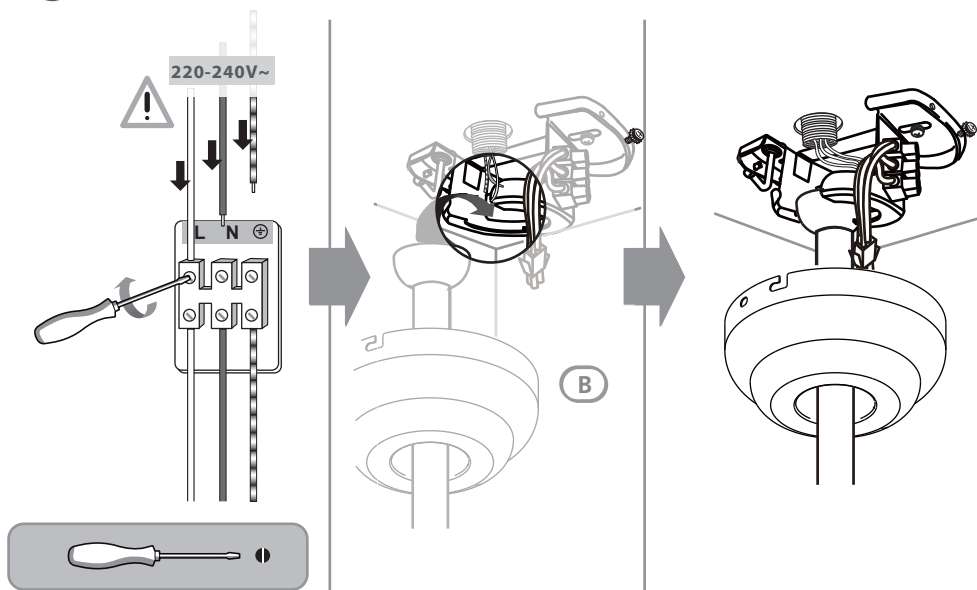
1



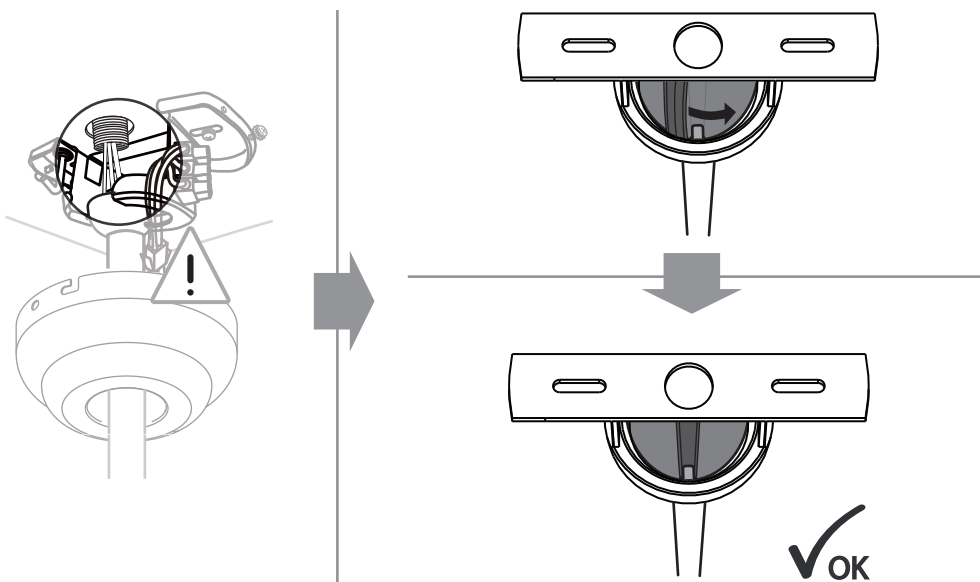
2



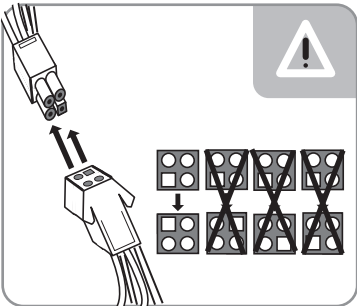
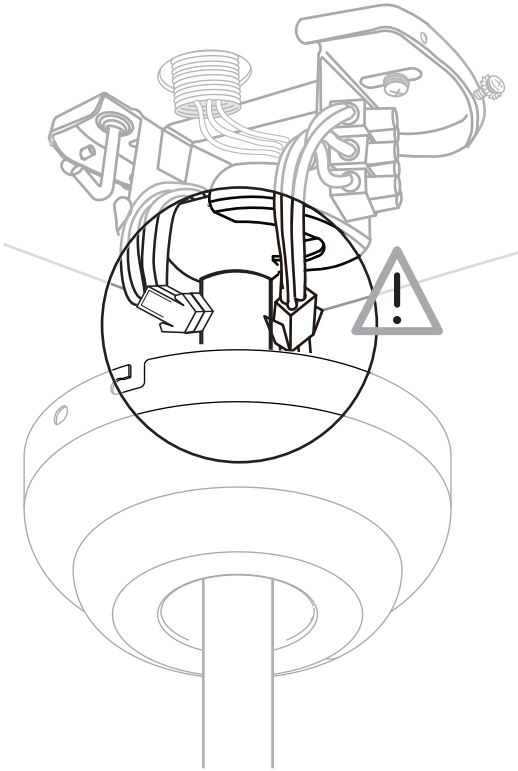
3



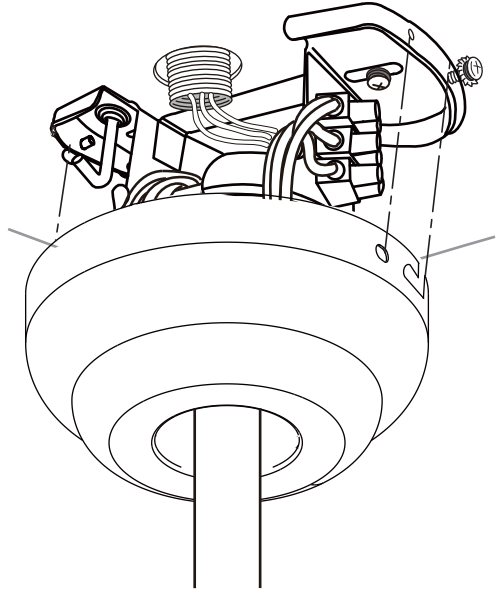
4



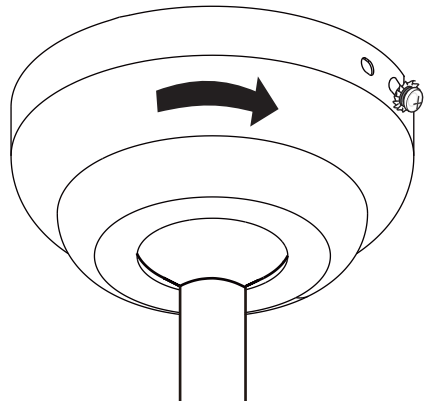
5

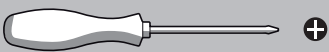
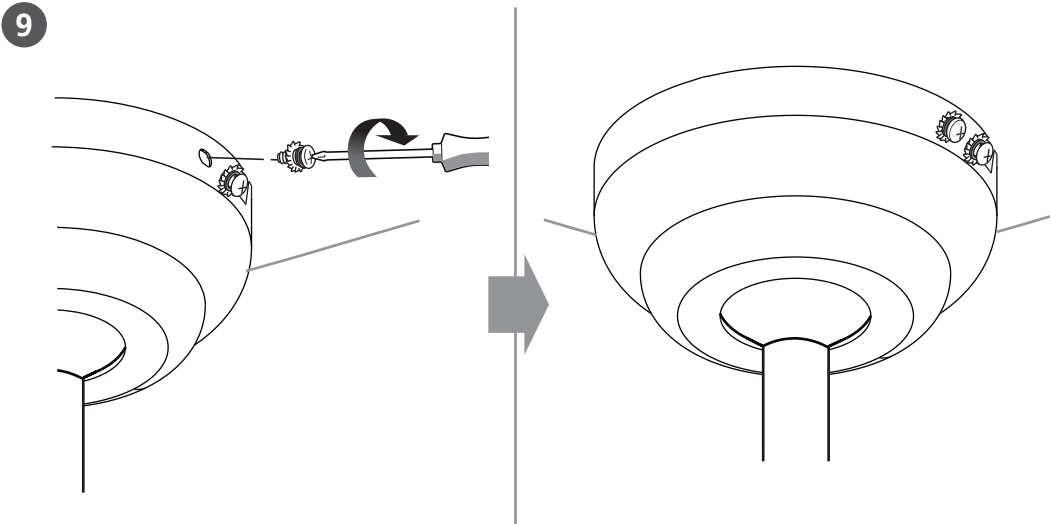
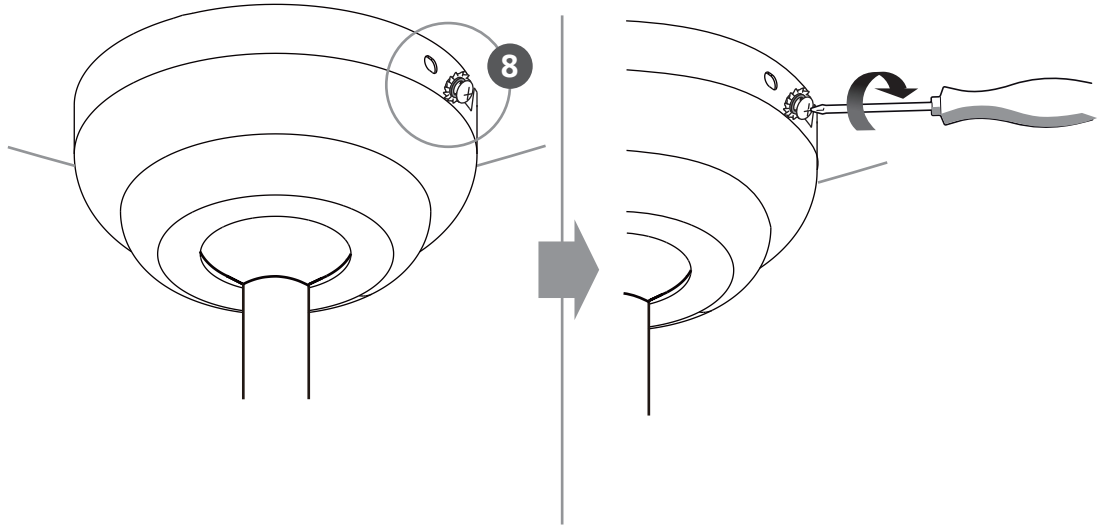


6

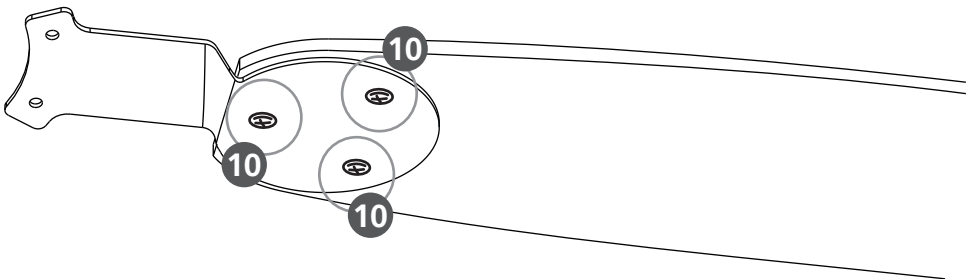
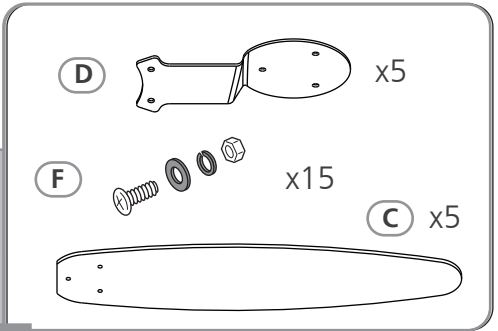
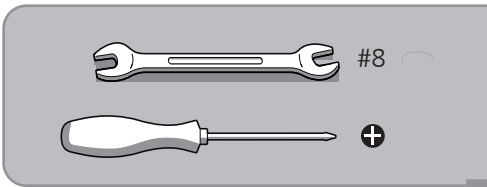
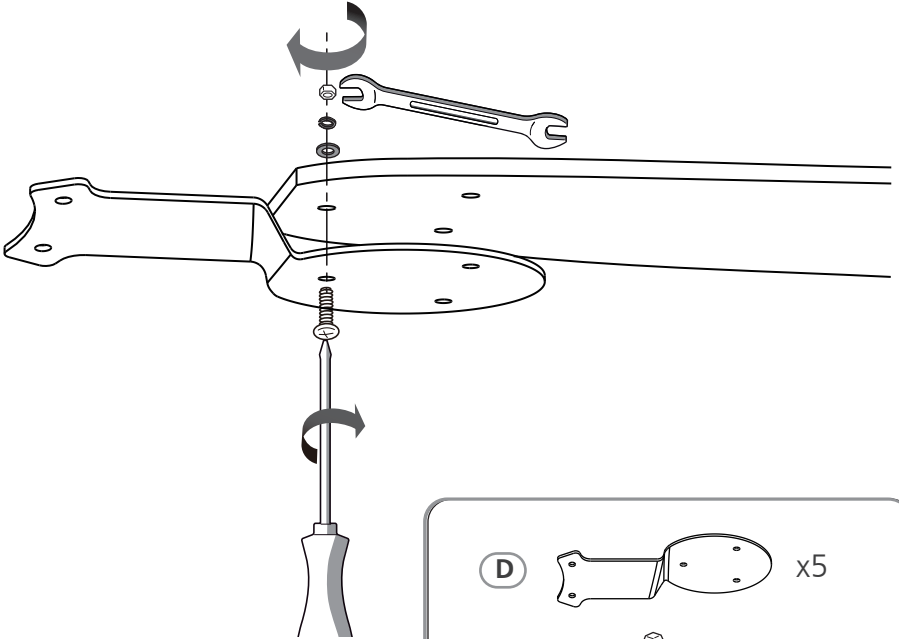


7

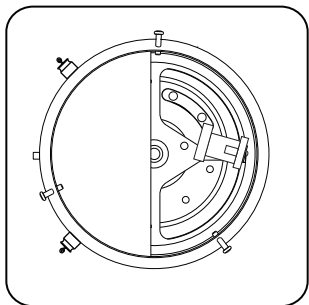
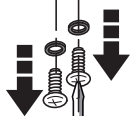
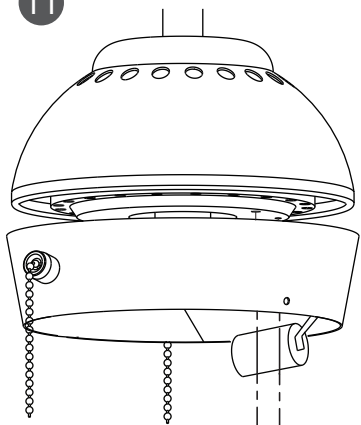




10

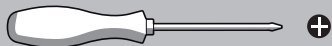
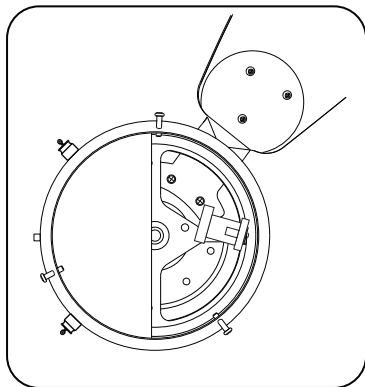
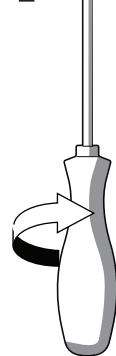
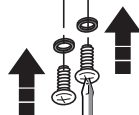
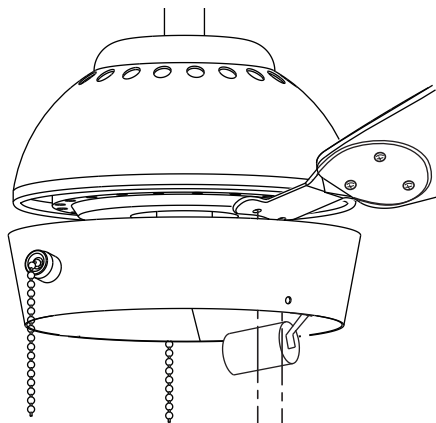


11

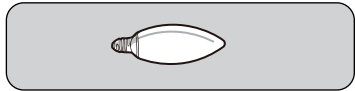
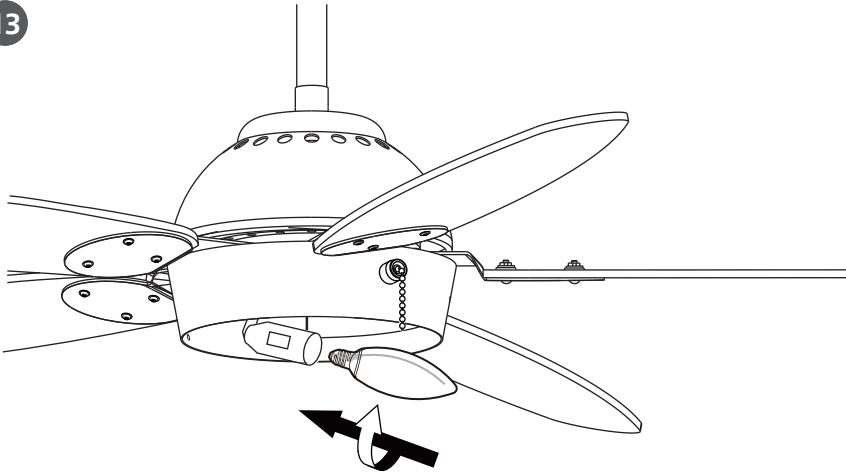


J x 10

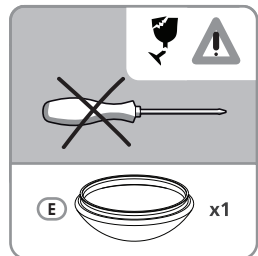
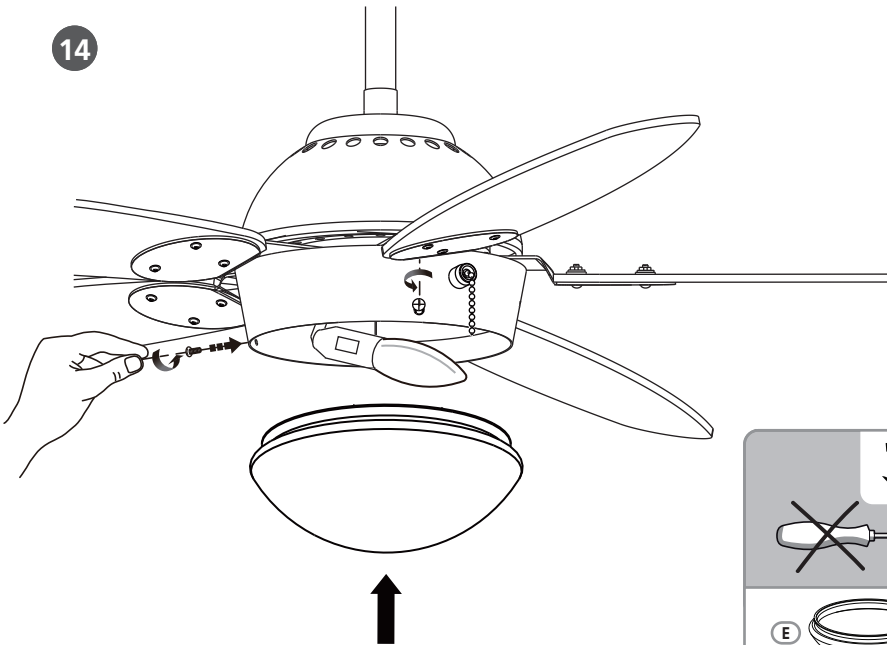
12

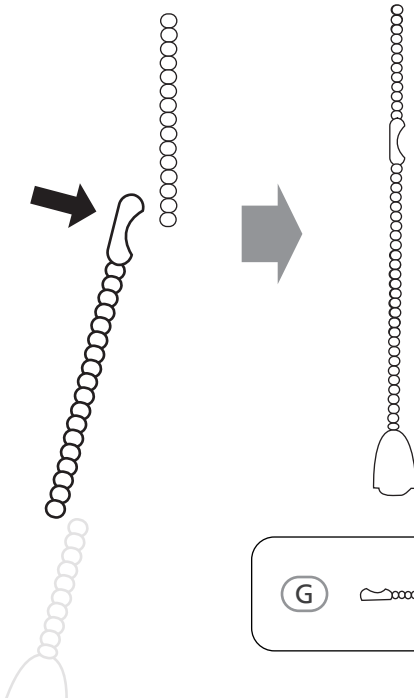
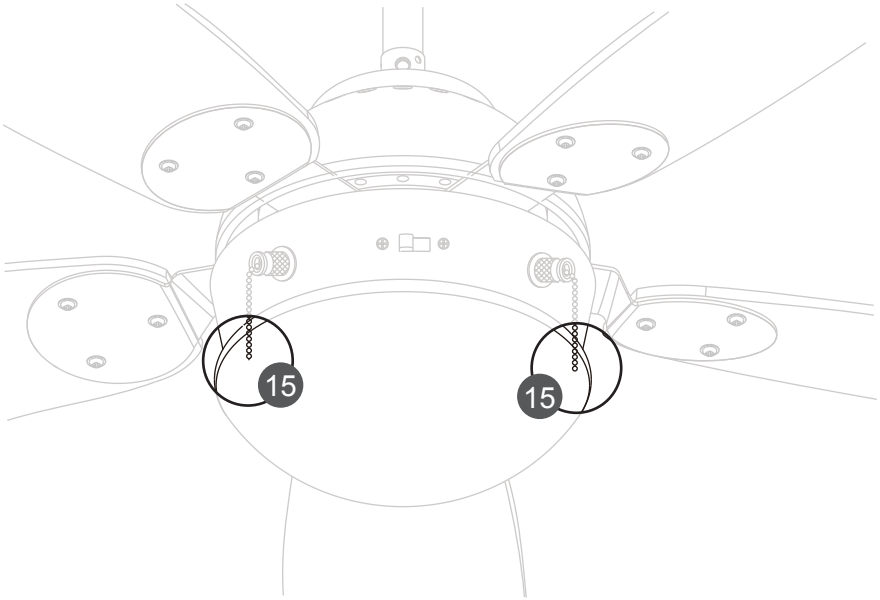


13

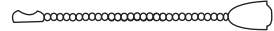


14

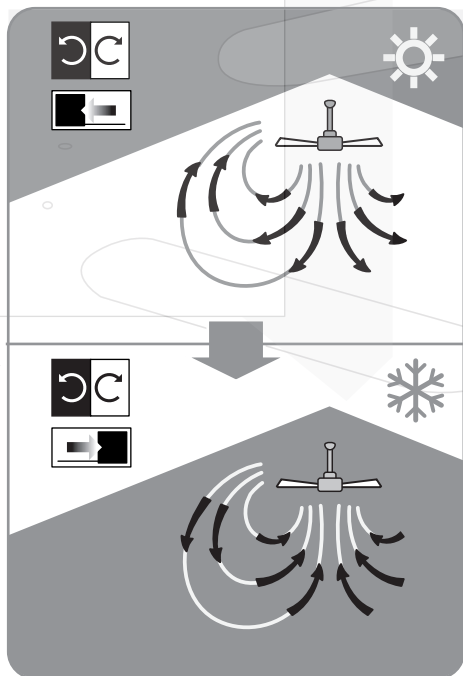
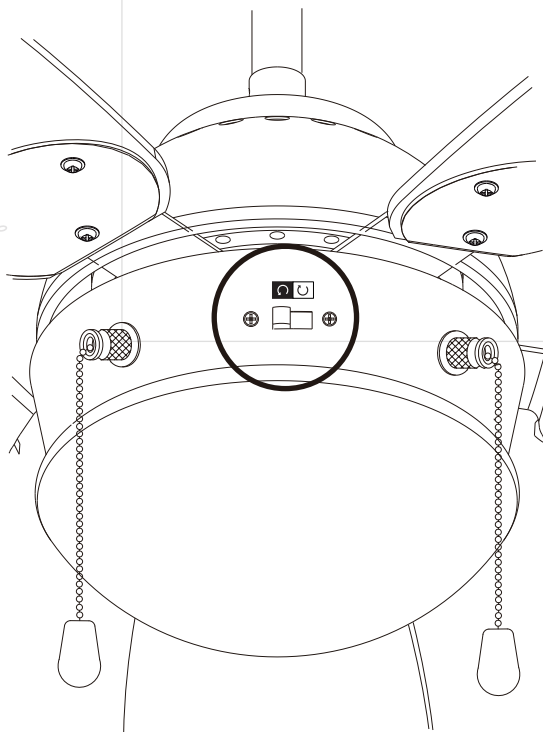
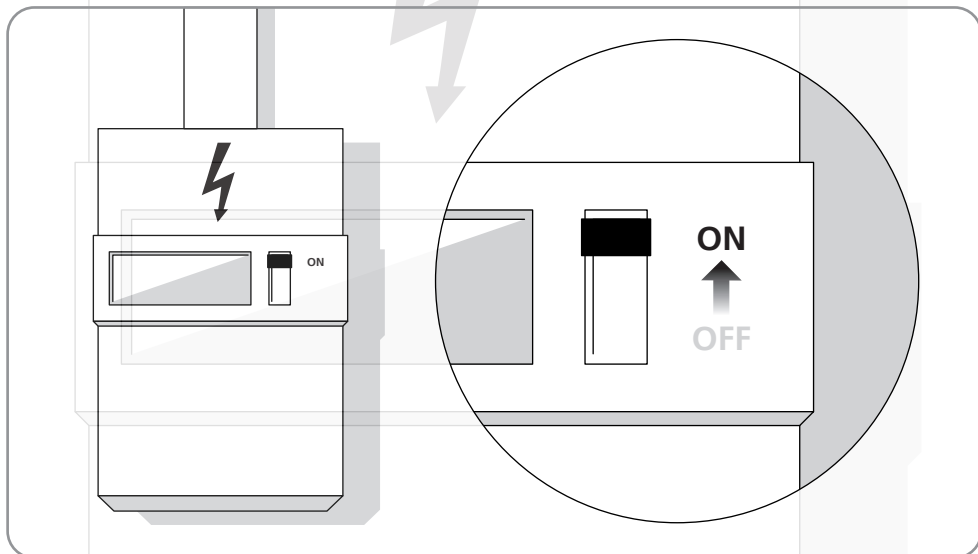


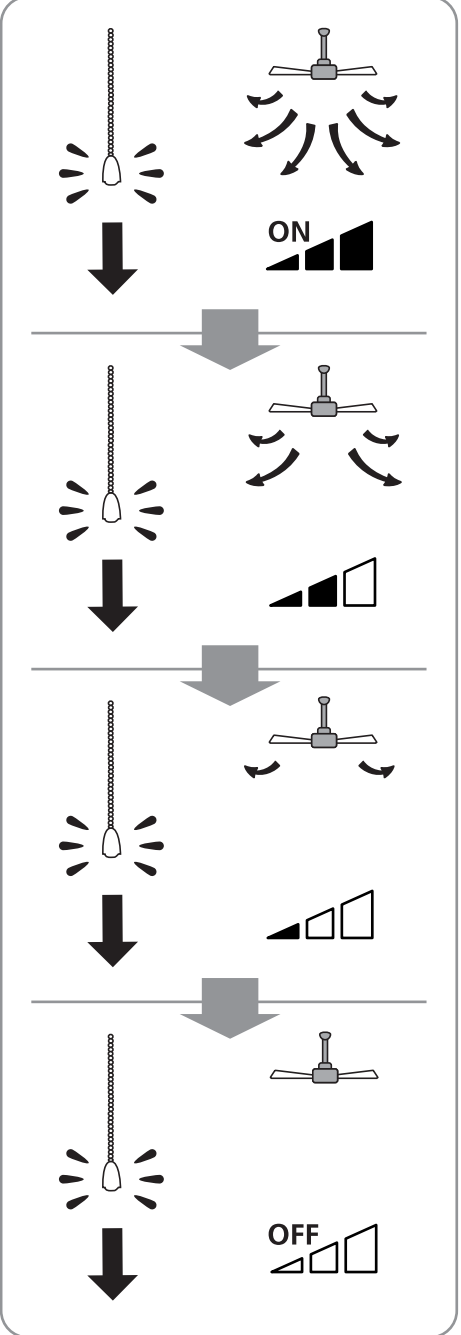
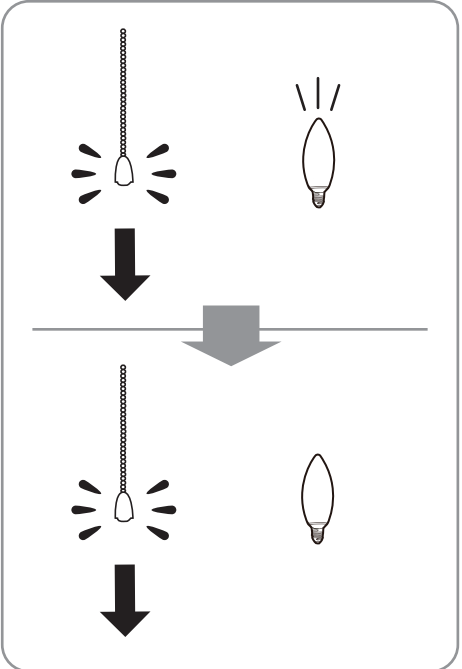
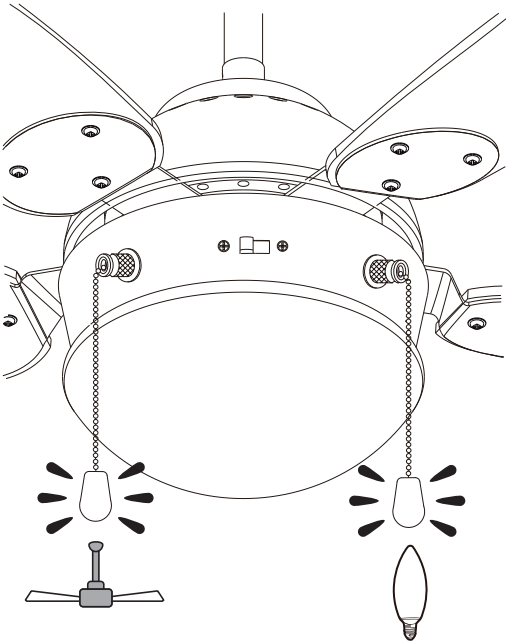


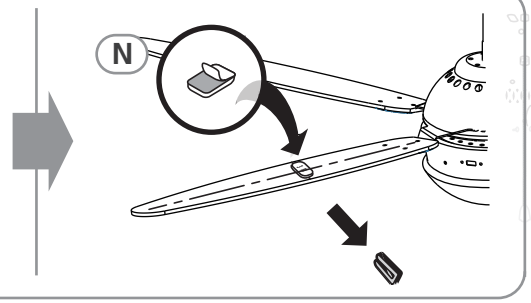
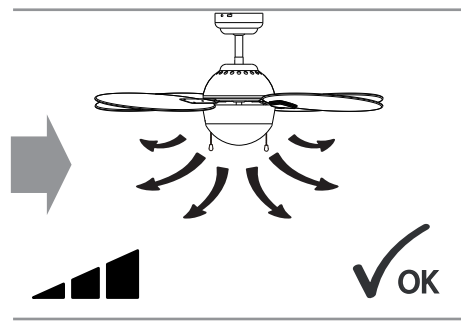
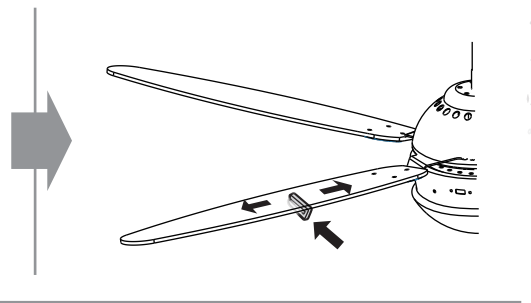
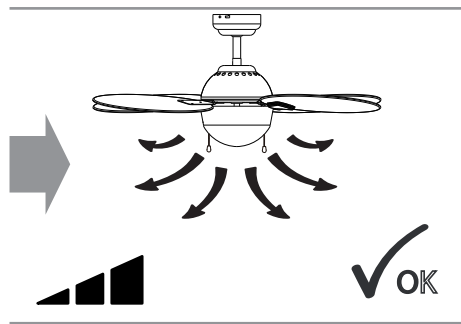
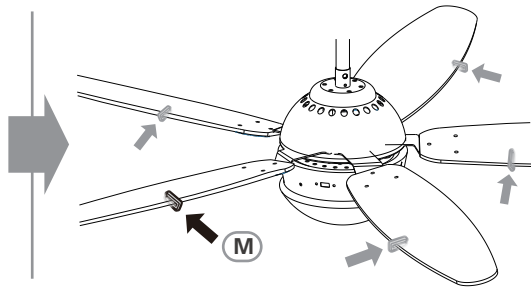
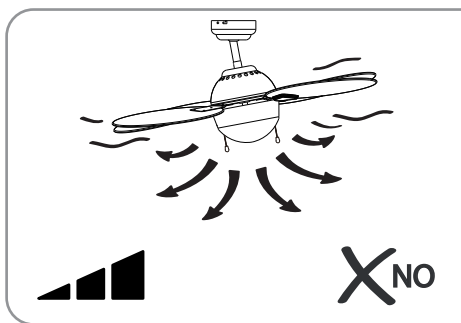
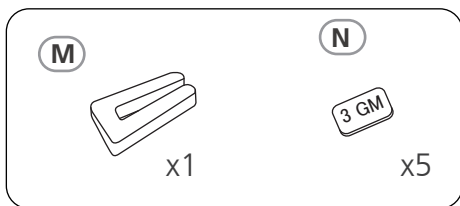
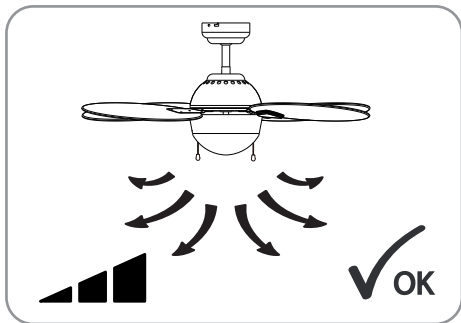
G



x2





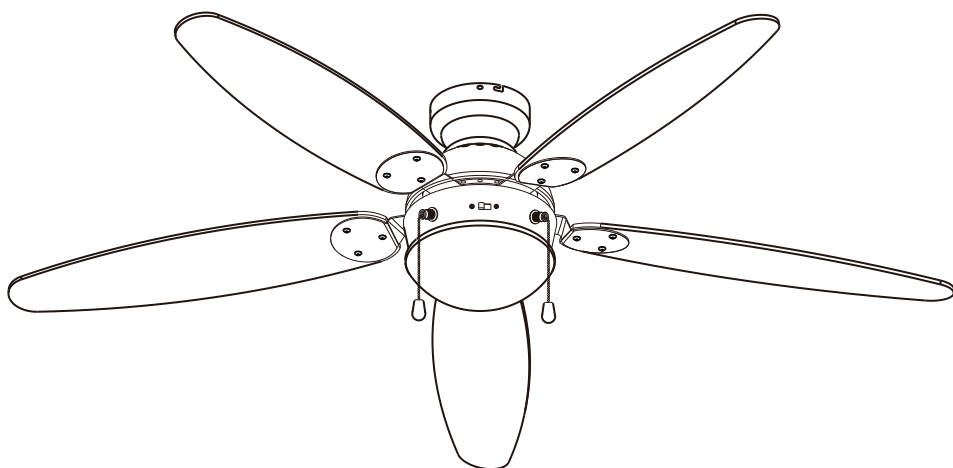


GLOBO

FAN

0308

www.globo-lighting.com

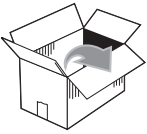


GLOBO Handels GmbH

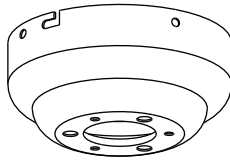
St. Peter 38

A-9184 St.Jakob/Rosental

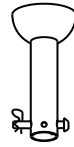




O



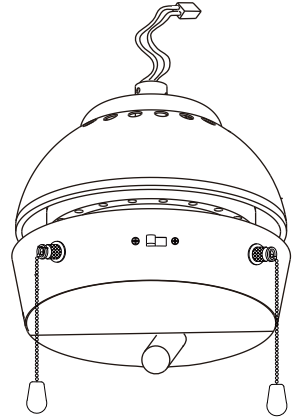
P



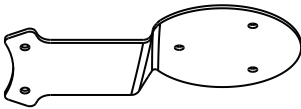
C x5



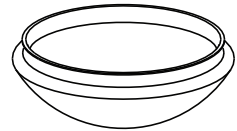
B



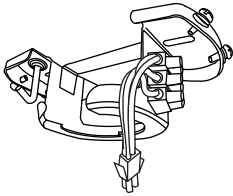
D x5



E x1



A



H



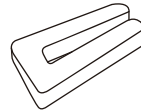
x2

N



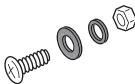
x5

M



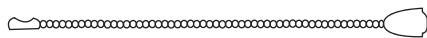
x1

F

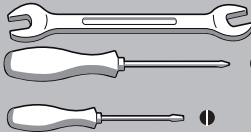
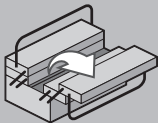


x15

G



x2

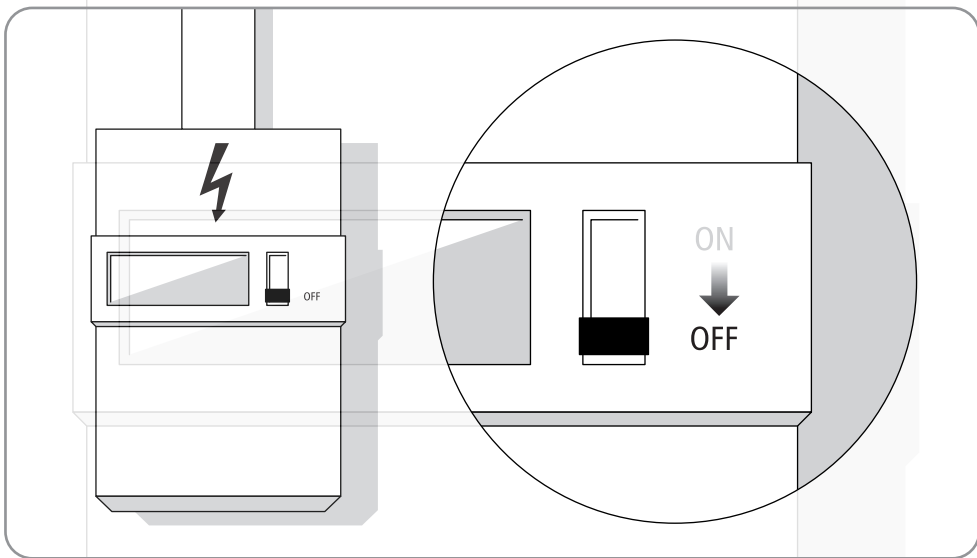
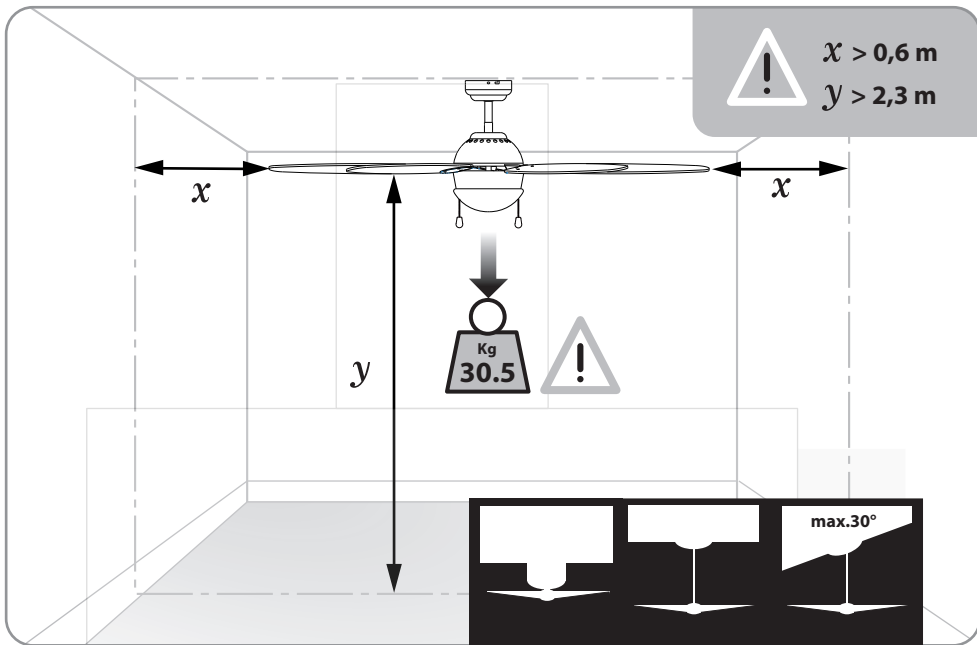


#8

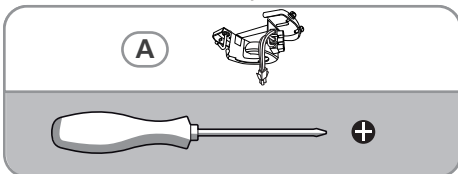
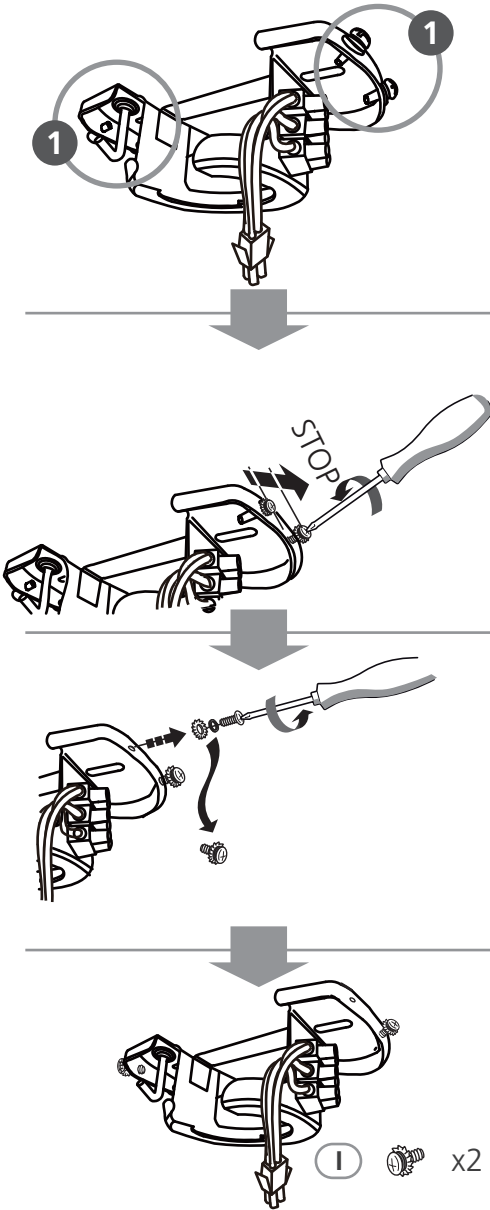


E 14

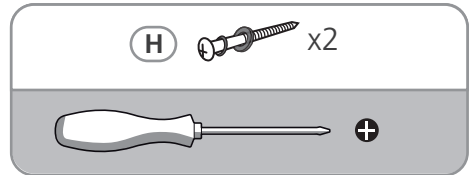
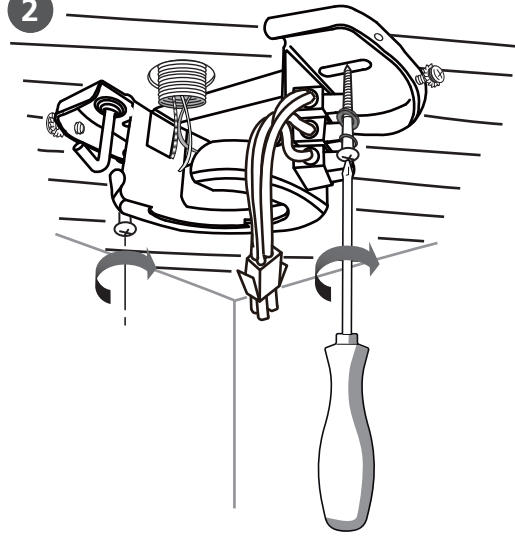




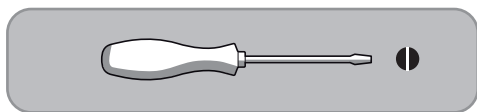
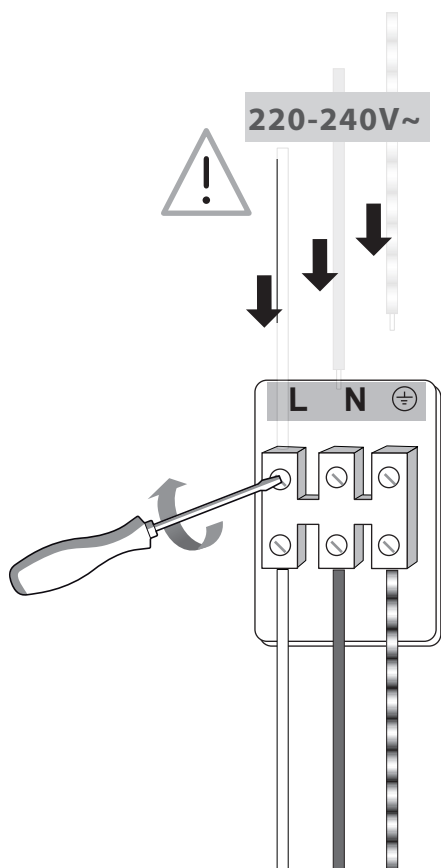
1



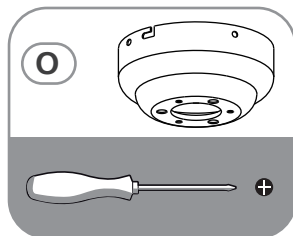
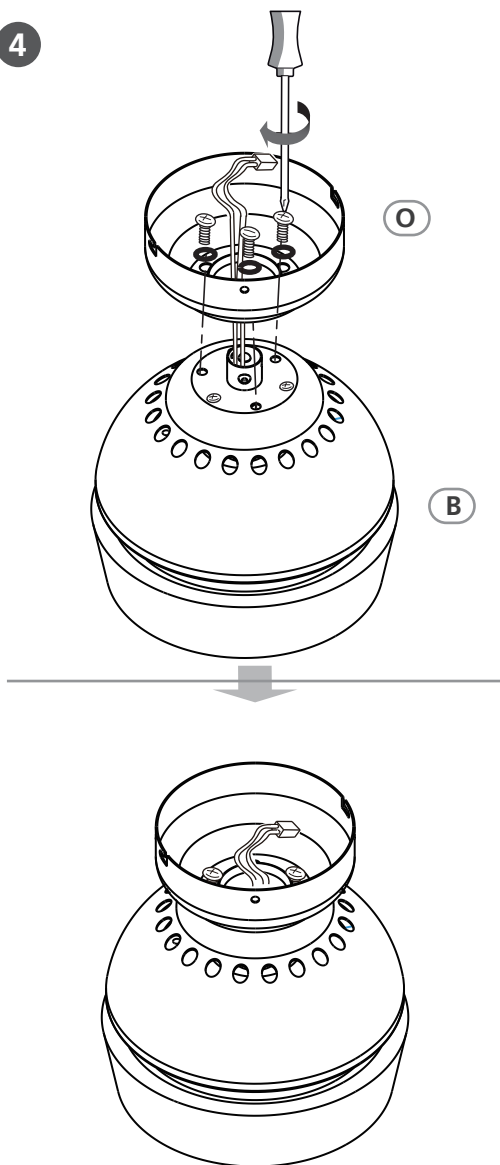
2



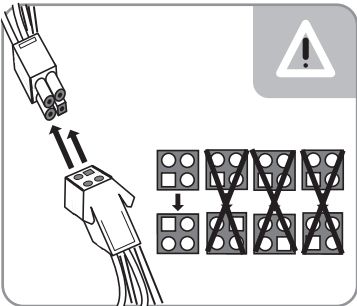
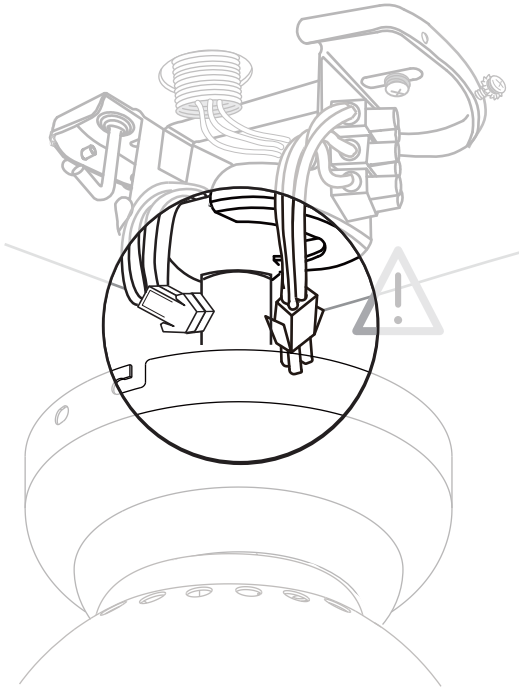
3



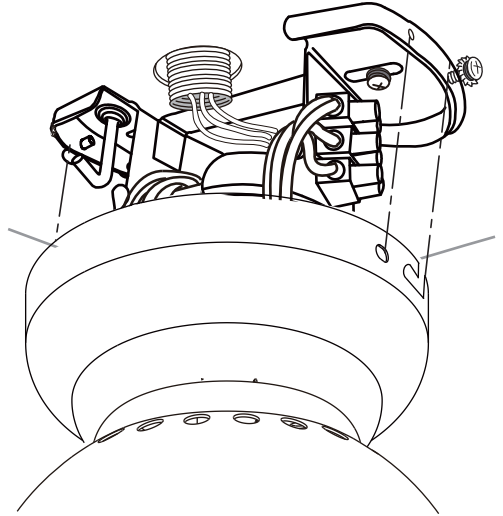
4



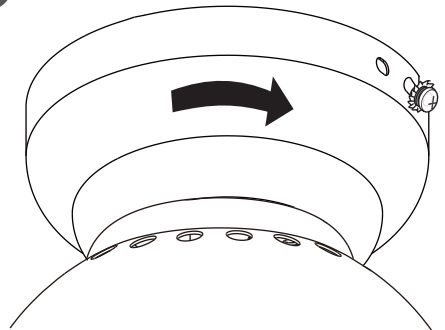
5

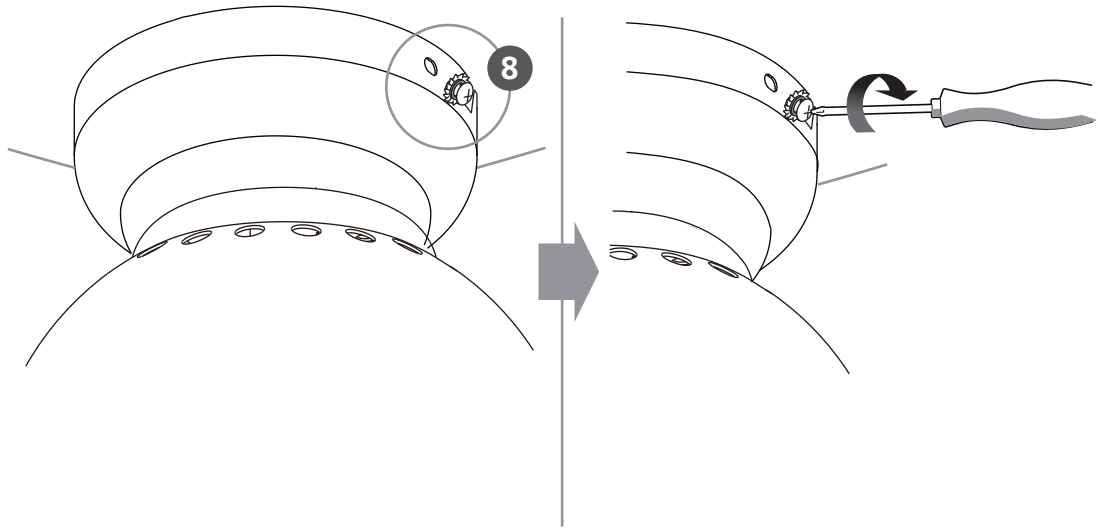


6

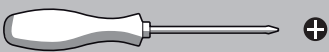
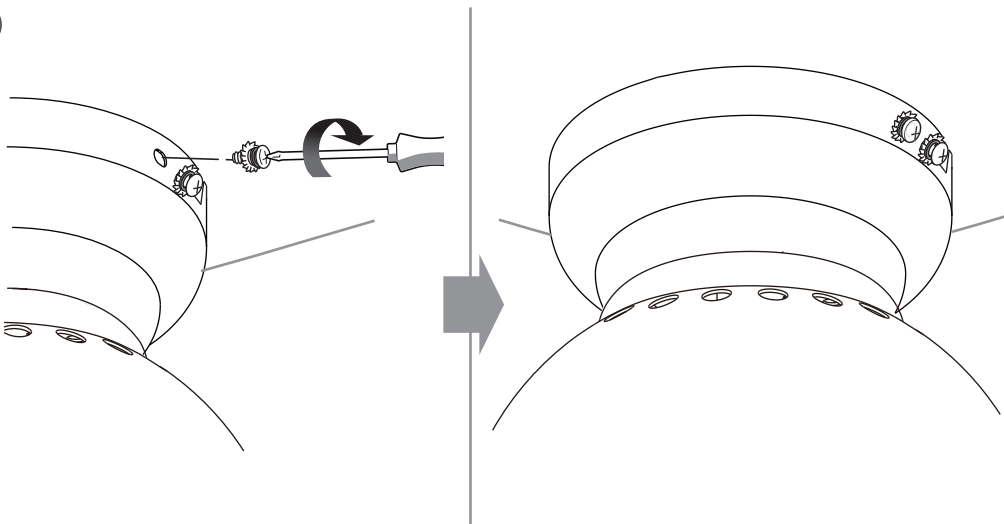


7

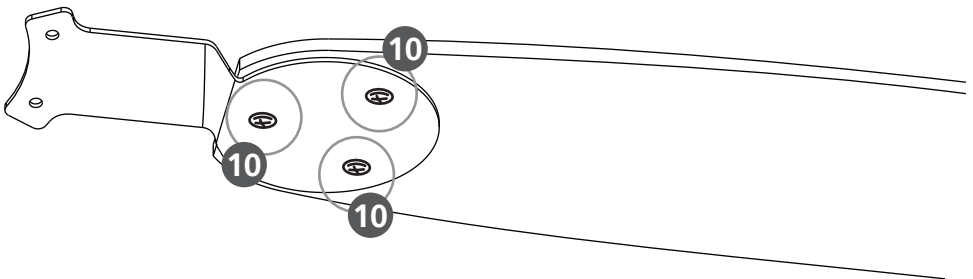
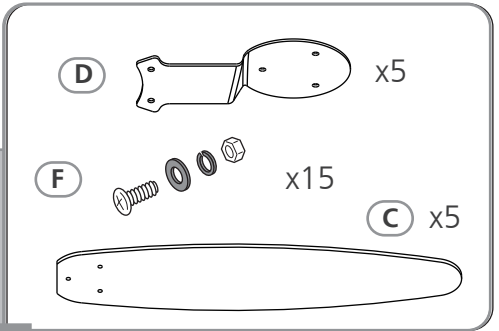
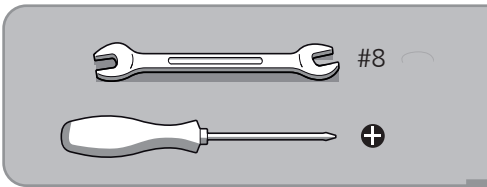
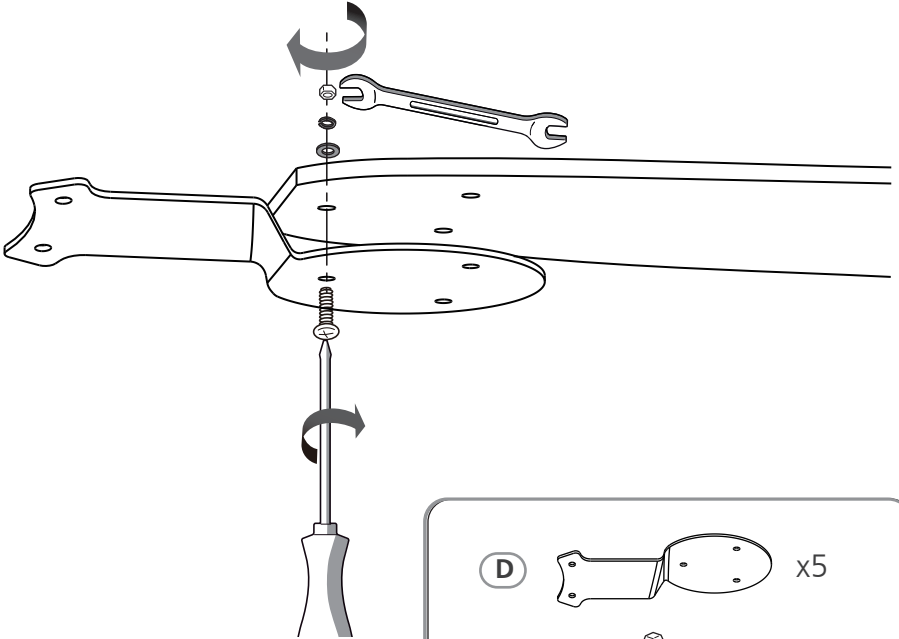




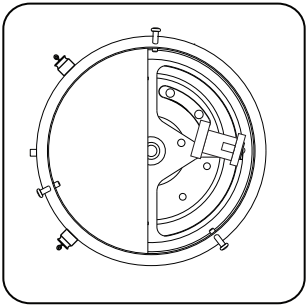
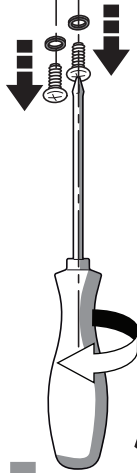
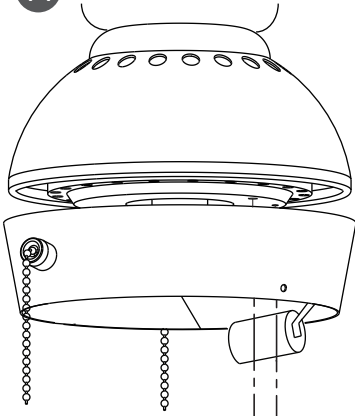
9



10



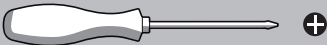
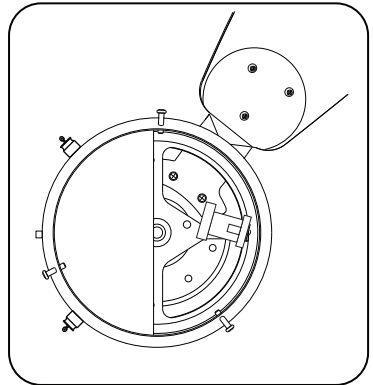
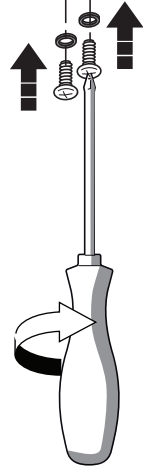
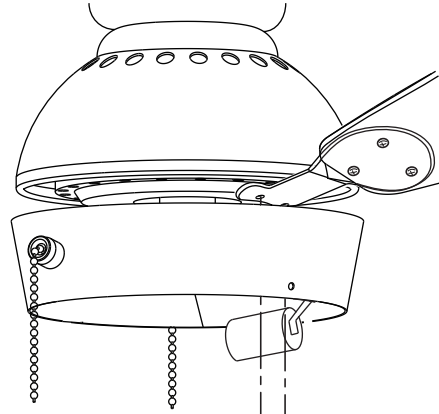
11



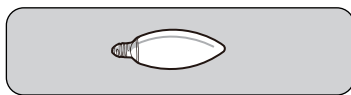
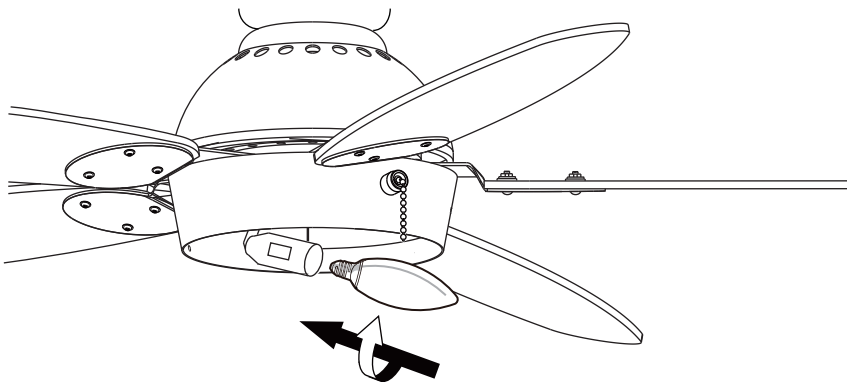
J

x 10

12



13



14

