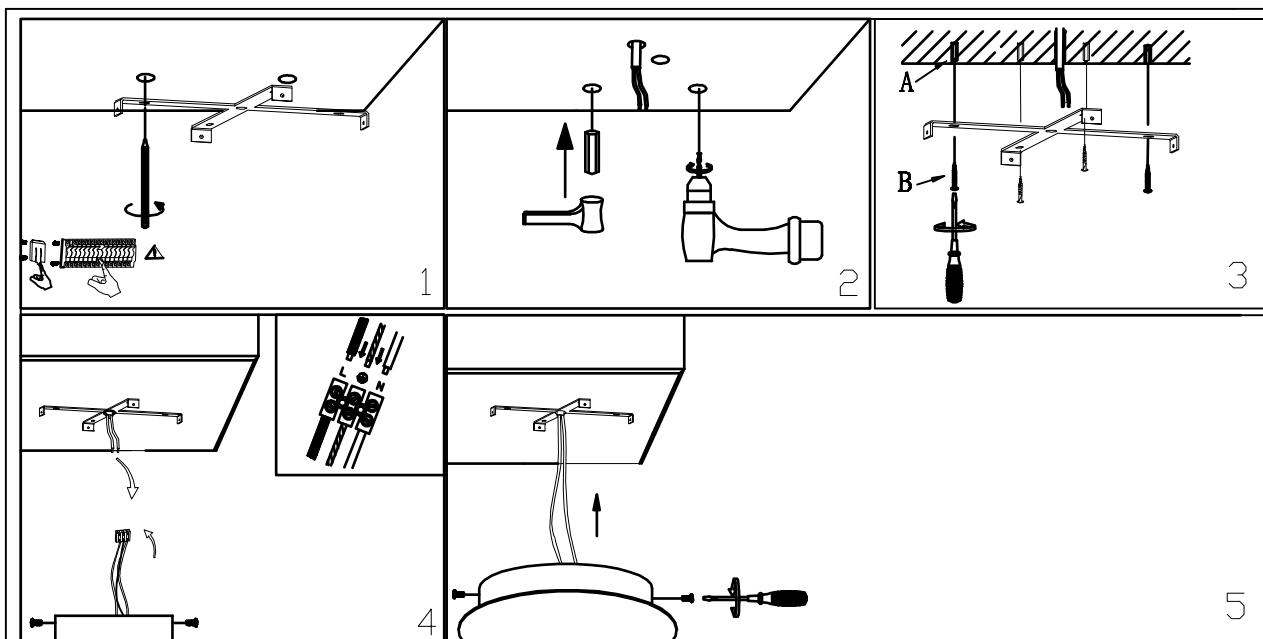
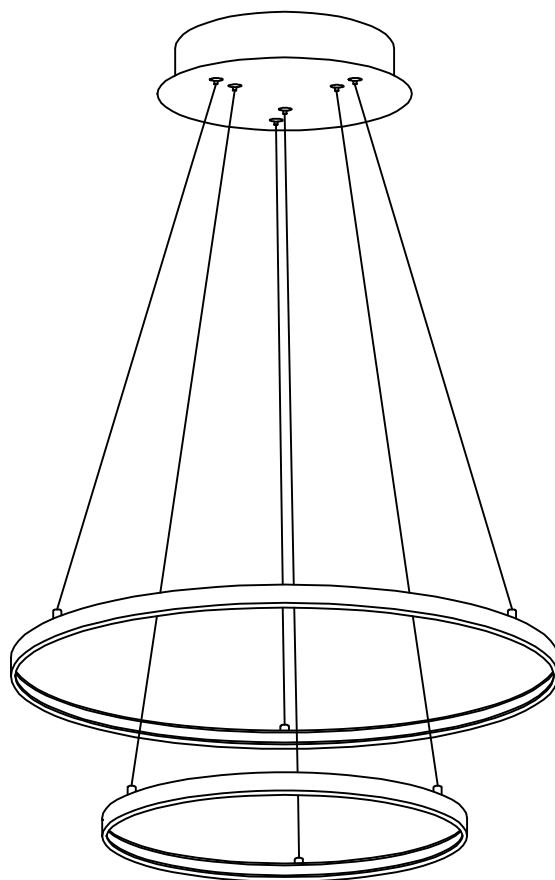




# NOVA LUCE



17222002



| NO   | A   | B   |
|------|---|---|
| TYPE |  |  |
| PCS  | 4   | 4   |