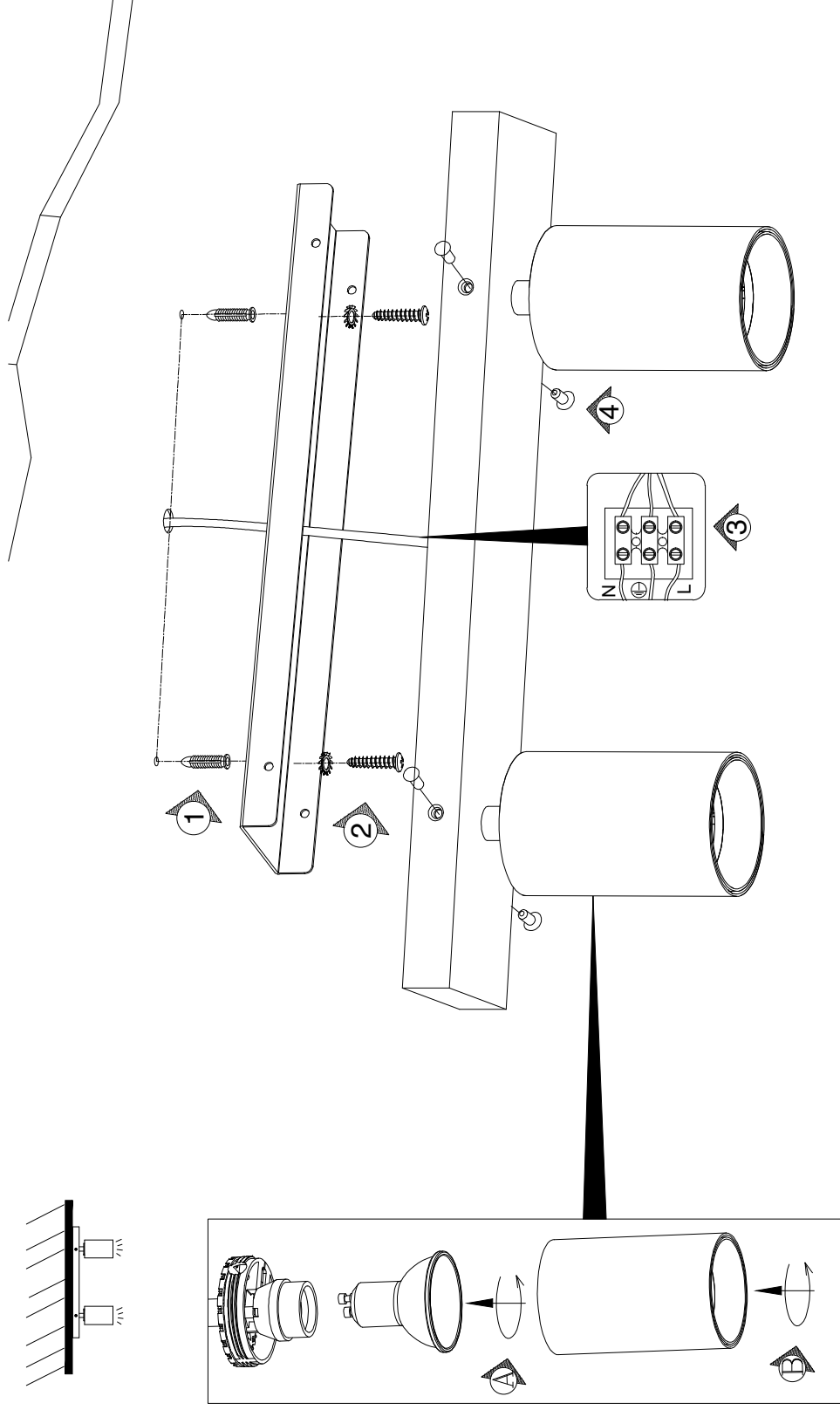
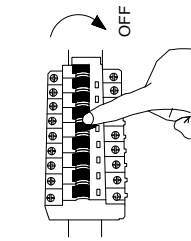


# NOVA LUCE

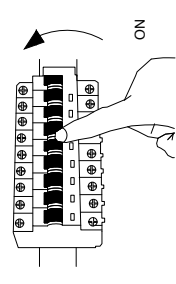
9012291, 9012292



- By rotating you can  
Ensemble the product



Firstly turn off the general Switch



Lastly Turn on the general Switch

1. Make holes where you want your product to be
2. Align it and place the screws with the plastic anchors
3. Connect the wires
4. Apply the sire screws