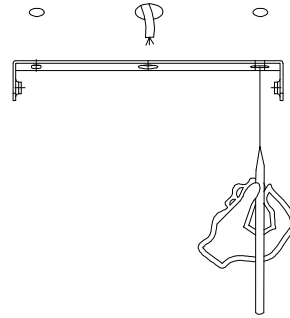
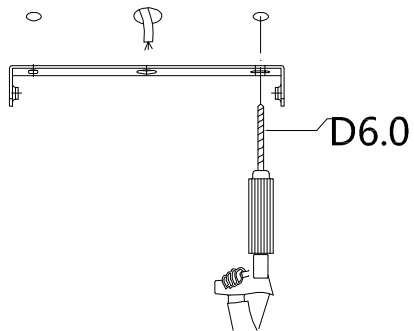


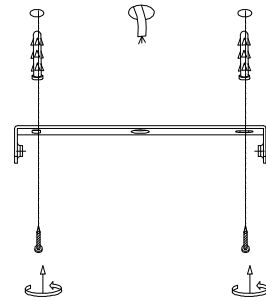
1 Remove the screws



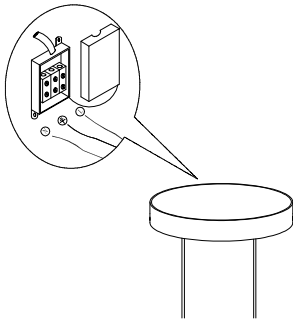
2 Align and mark to drill holes



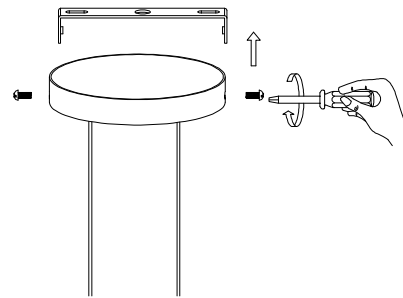
3 Drill your marks



4 Apply Plastic Anchors



5 Connect the 3 wires



6 Apply the screws to hold it in place

