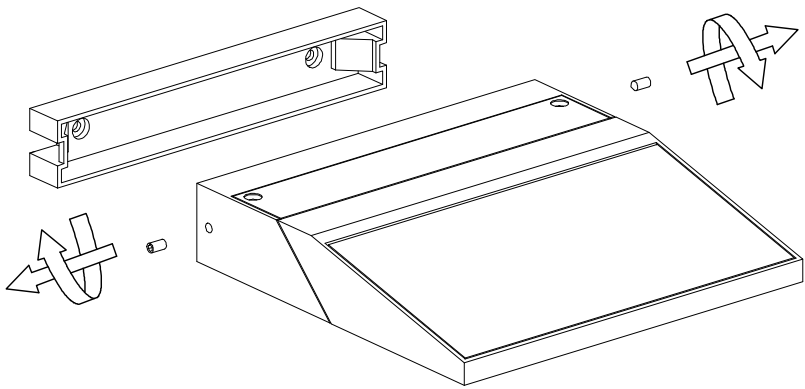
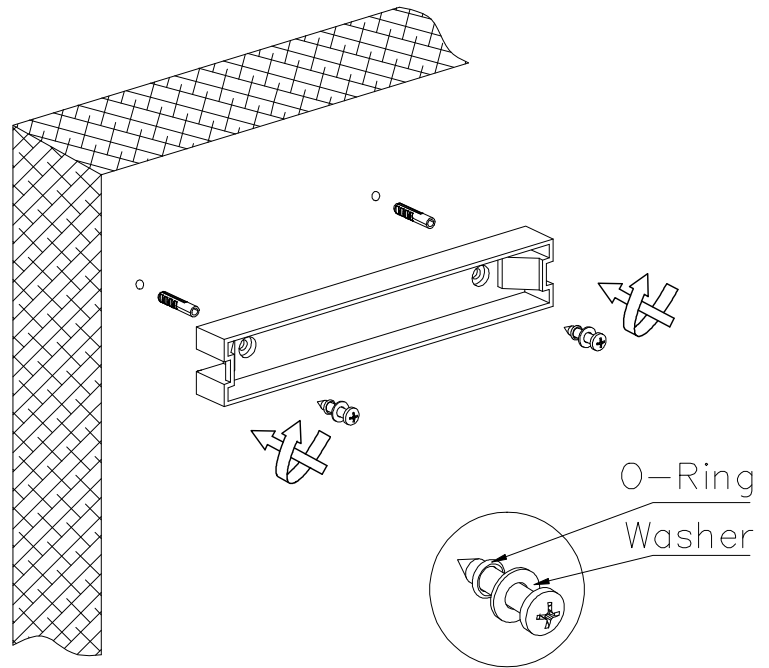


A

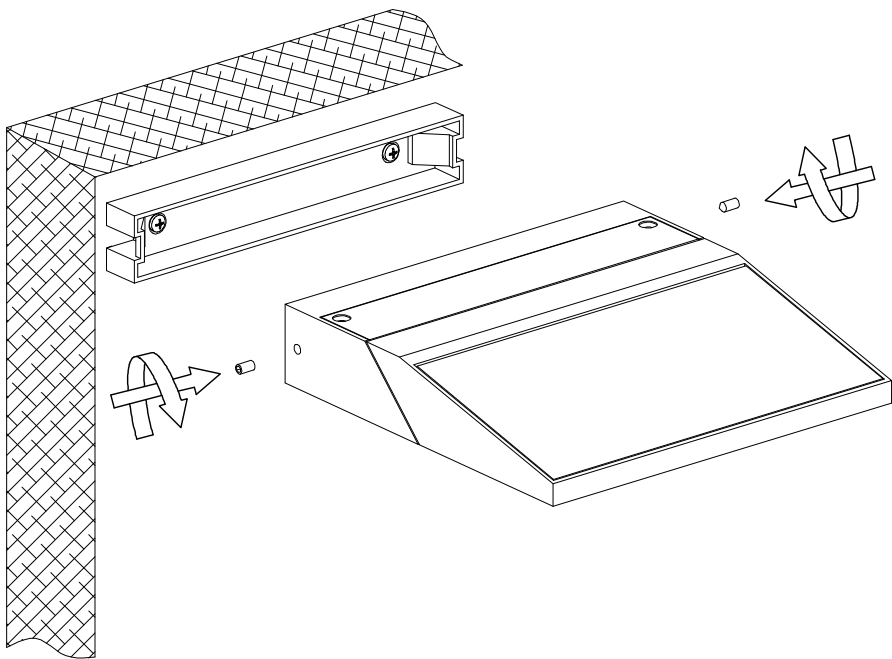


B



O-Ring
Washer
O-Ring must be under
washer, No reverse position

C



D

