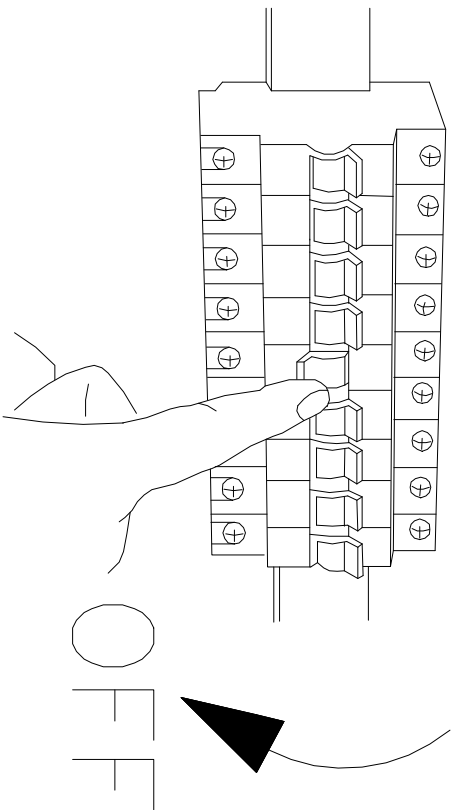
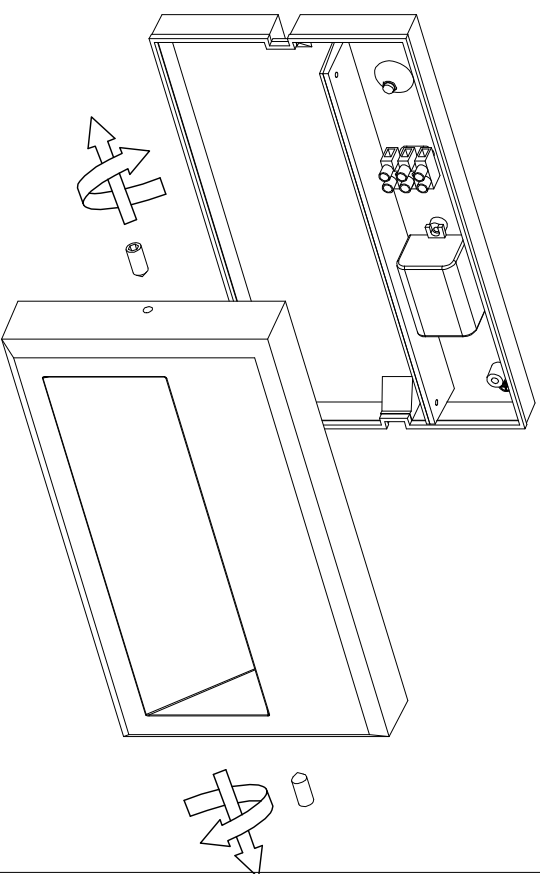
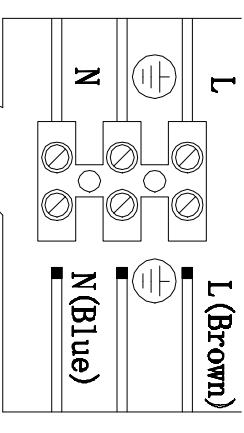
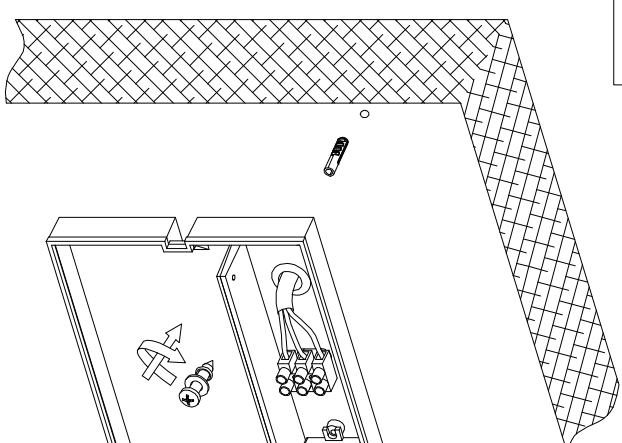
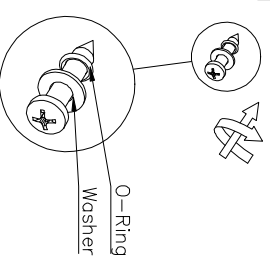
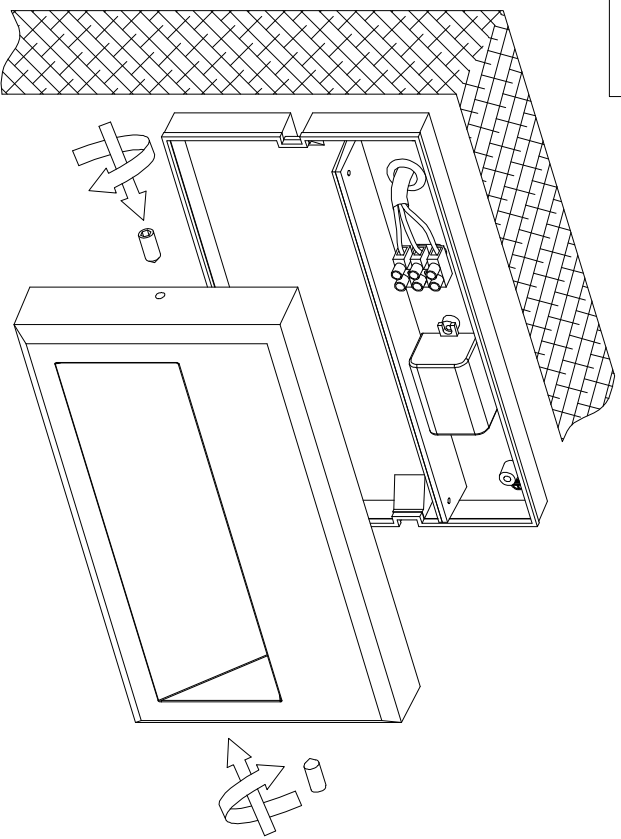
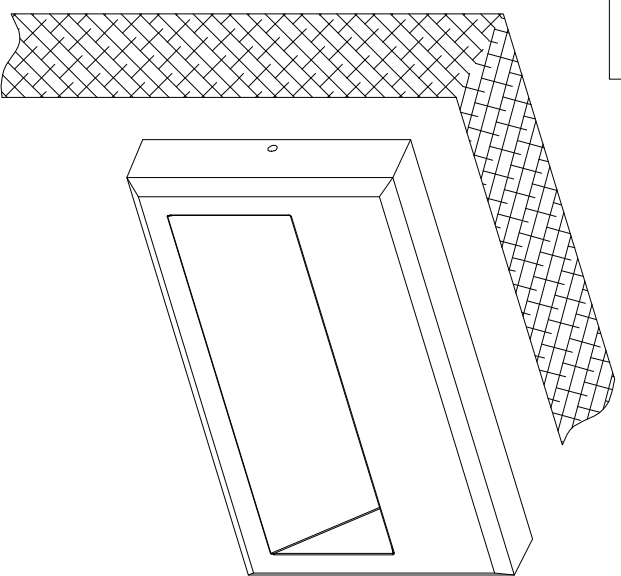


**A****B****C**

O-Ring must be under washer. No reverse position

**D****E****F**