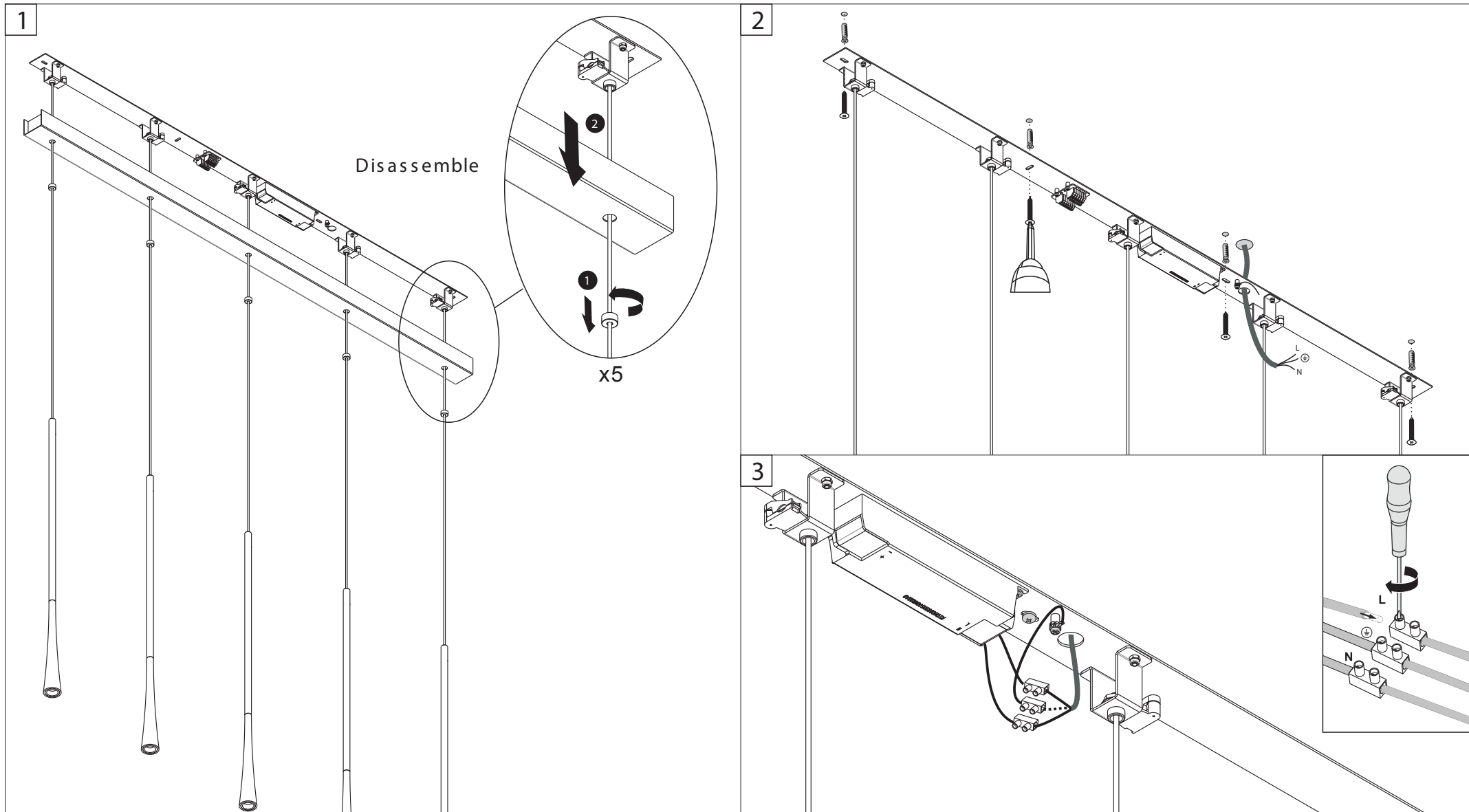


ITEM: 9504001

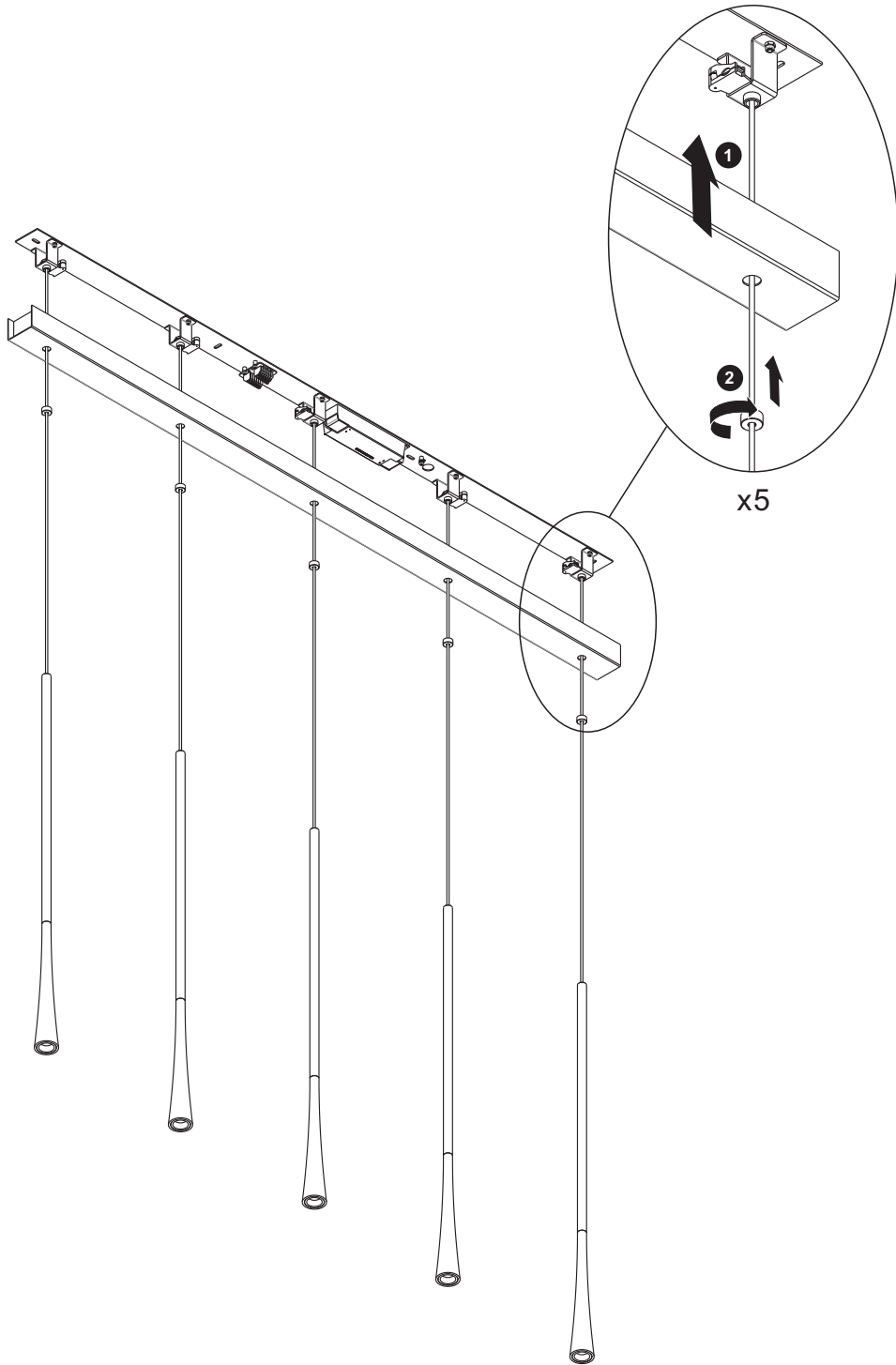
POWER: 5x5W

INPUT: 220-240V,50/60Hz

ATTENTION: YOU HAVE TO CUT OFF THE POWER BEFORE INSTALLING THE LAMP



4



5

