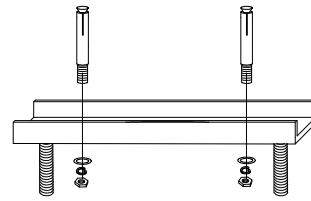
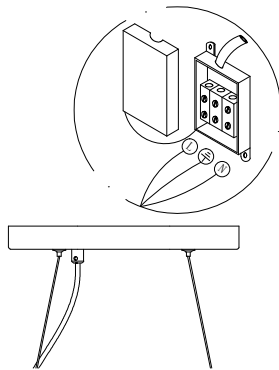


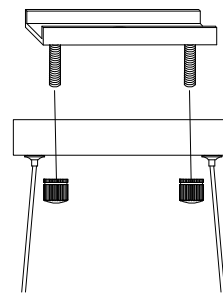
1 Turn off the general Switch



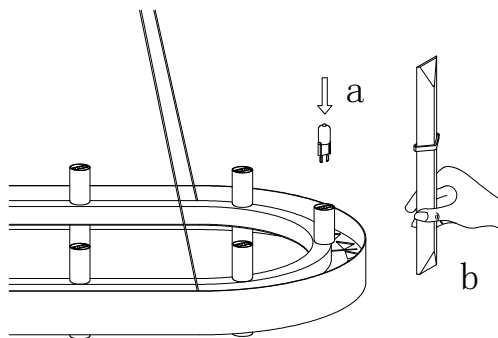
2 Align, mark and drill holes



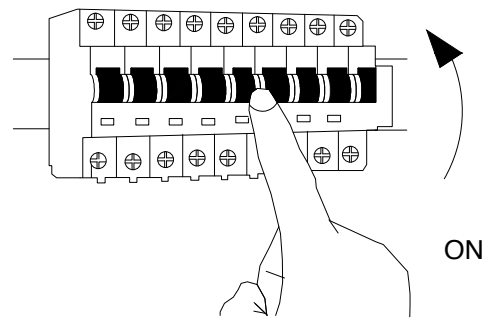
3 Connect the 3 wires



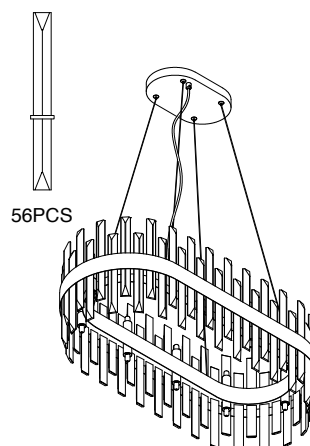
4 Apply the caps



5 Connect the bulb with the crystal



6 Turn on the general Switch



56PCS