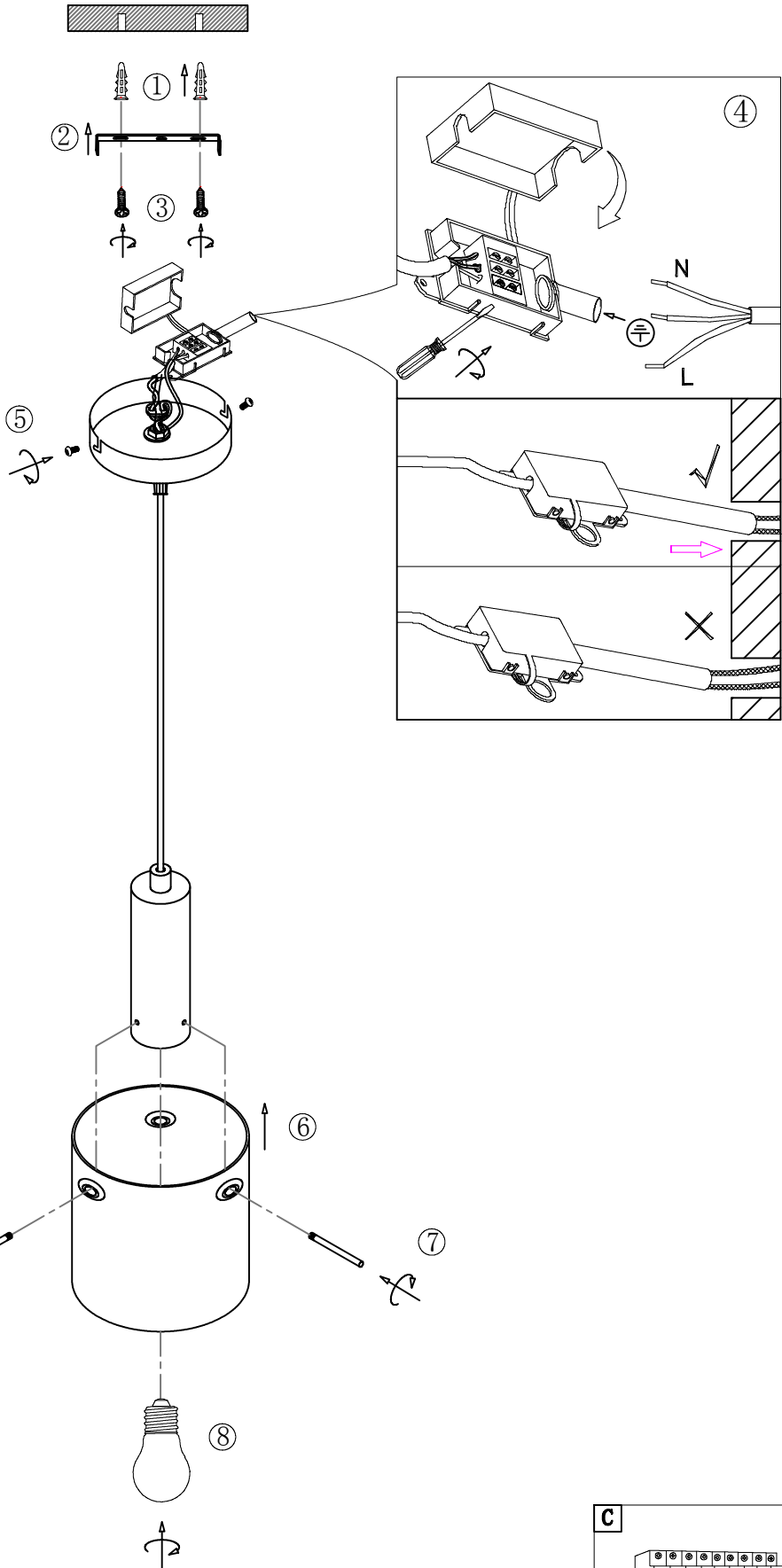


ART NO. 5249

B



max: 1.2m
min: 0.3m

